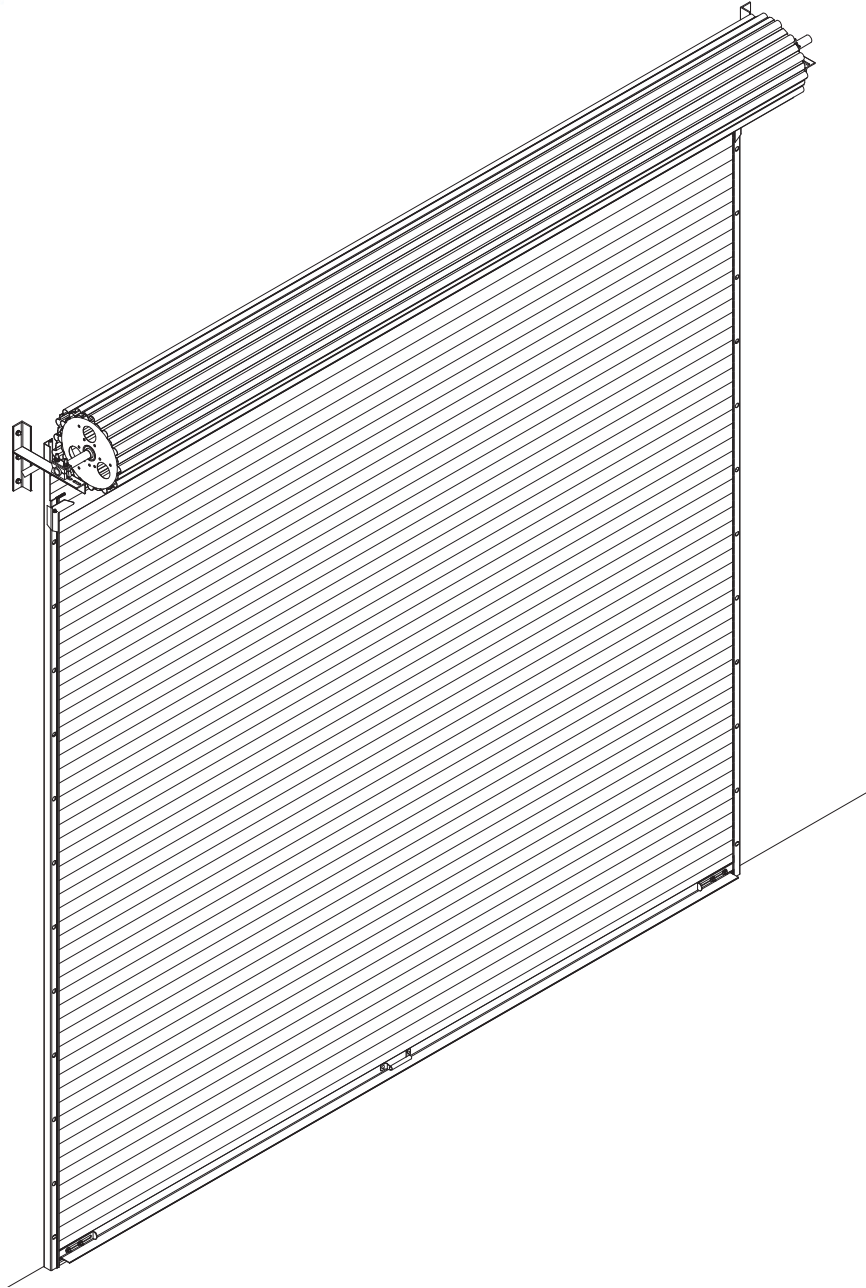




Division of Overhead Door

DS-200 COMMERCIAL ROLL-UP DOORS

INSTALLATION INSTRUCTIONS



IMPORTANT NOTICE!!

Read the enclosed instructions carefully before attempting to install this door. Pay close attention to all warnings and important safety notices.

This manual MUST be attached to the wall in close proximity of the door.

IMPORTANT SAFETY NOTICES

Read the enclosed instructions carefully before attempting installation. If there are any questions about any of the procedures, do not perform the work. Instead, have a qualified door agency do the installation or repairs.

1. Operate the door **ONLY** when it is properly adjusted and free of all obstructions.
2. The door is constantly under **EXTREME SPRING TENSION**. Repairs, adjustments, installation and removal, **ESPECIALLY** of **SPRINGS AND RELATED PARTS**, are dangerous so that such work should be performed **ONLY** by qualified door service people.
3. **DO NOT PERMIT** children to play with the door. Children could get caught between the door and the floor causing **serious injury or death**.
4. Avoid standing in the open doorway or walking through the doorway while the door is moving. One could get caught between the door and the floor causing **serious injury or death**.
5. Should the door become hard to operate or completely inoperative, it is recommended that a qualified door agency correct the problem to prevent possible injuries or door damage.
6. Avoid installing the door on windy days. The door could fall causing door damage or injury.
7. To prevent injuries due to loose components, at least monthly check all bolted connections to make sure they are secure.
8. To prevent injuries, never place hands or fingers between the curtain and the guides while the door is being operated.
9. This manual is **not** intended to provide "take-down" instructions for existing doors. Consult your local door agency if this is required, before new doors are to be installed.
10. Thoroughly familiarize yourself with the construction codes in your region before initiating work.
11. Wear the proper protective safety gear at all times when installing, adjusting, and/or repairing doors.
12. Consider using a 2-person (or larger) crew for installing, adjusting and/or repairing larger doors.
13. To prevent injury or death due to falling, use scaffolding or mechanical lifts, rather than ladders, when installing, adjusting, and/or repairing larger doors.
14. Definitions of key words used in this manual are as follows:



This is the safety alert symbol. It is used to alert you to potential personal injury hazards. Obey all safety messages that follow this symbol to avoid possible injury or death.

! WARNING

WARNING indicates a potential hazardous situation which, if not avoided, could result in serious injury or death.

CAUTION

CAUTION used without the safety alert symbol indicates a potentially hazardous situation which, if not avoided, may result in property damage.

IMPORTANT!

IMPORTANT! indicates a required step for safe and proper door operation.

NOTE:

NOTE: indicates information assuring proper installation of the door.

HINT:

HINT: indicates a suggested step to simplify installation based on experience.

INTRODUCTION

This manual's main function is to assist the installer in correctly mounting doors with due regard for safety, operation, and sound construction practices. Reference must be made to construction codes in your area.

All Wayne-Dalton DS-200 Commercial Roll-Up Doors follow the general instructions contained herein. Additional installation information for the specific door shipped is found with the packing slip and on supplementary drawings. There are also bolt and small sealed parts bags with accessory lists, describing proper application.

PREPARATION

Read the installation instructions thoroughly to become familiar with the names of the various components and their relation to each other. It is necessary for the installer to determine the following:

- Method of operation (push-up, hand chain, or motor operated).
- Type of jamb (wood, masonry, or steel) on which the door guides mount and the fasteners required.
- The dimensions for the opening width, opening height, headroom, and side room.

MATERIAL

Inspect your door for possible damage or shortage of parts. Report any shortages to your door supplier immediately, or transit related damage claims to your freight carrier.

CLEARANCES

Check the door opening dimensions and available clearances versus the dimensions listed on the packing slip. Be sure that the dimensions are correct for the opening you are working on, taking special note of the opening **width** and **height**. Be sure that the required clearances listed on the Dimension Tables in this manual are available prior to installation.

TOOLS

The tools recommended for proper installation of each door will vary, but commonly used tools are:

- Electric drill with 3/8" or 1/2" chuck with nut driver bits
- Masonry drill or impact hammer and bits.
- Chain hoist and sling for raising barrel and curtain assembly.
- Scaffolding, Mechanical Lift, and/or Ladders (ladders not recommended for larger doors).
- Hammer.
- Channel Lock Pliers
- Center punch.
- Screwdrivers.
- Drills.
- Wrenches, vise grips, C-clamps, torque wrench, and a large pipe wrench.
- Plumb line, tape measure, chalk line, and a water level.

STEP 1 UNPACKING DOORS

Doors shipped by common carrier arrive at the job site packed in cardboard. Before removing the door from the packaging, inspect the door and packaging for visible signs of damage. If damage is noted, file a freight claim with the freight company immediately. Remove the door from the packaging.

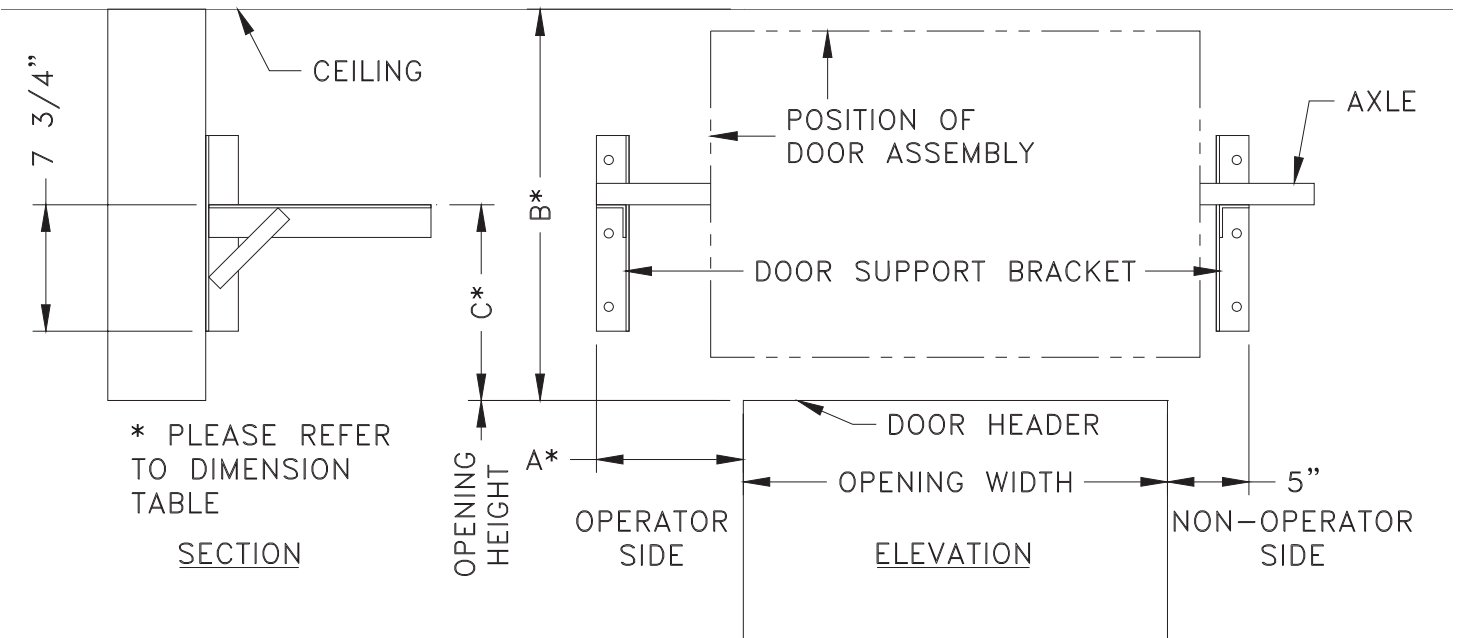
IMPORTANT!

Do not remove cardboard or cut tape that holds door in a roll. You will be told later when to do this.

No guarantee will be given by Wayne-Dalton if the door is not erected as instructed. For best operation, follow the instructions step by step. Please review all instructions thoroughly before starting installation.

STEP 2 CHECK THE DOOR OPENING

Verify the opening measurements with the door packing slip. Consult the factory if the actual opening width is greater than that shown on the packing slip by more than 2 inches. Check door jambs, header, and floor for plumb/level condition. Check that there is sufficient clearance at jambs and head (see Dimension Tables below).



NOTE:

Left hand operated door shown above. Right hand is opposite.

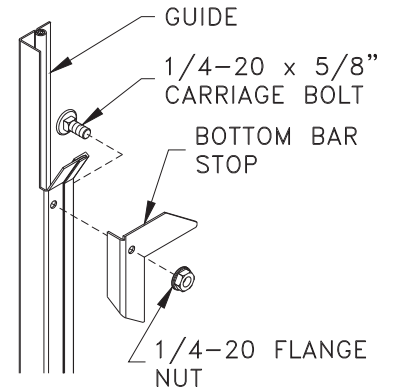
OPERATION	A
PUSH-UP	5"
DIRECT DRIVE CHAIN/MOTOR	9"
REDUCED DRIVE CHAIN	8"

OPENING HEIGHT	B	C
UP TO 8' HIGH	17"	7"
FROM 8' TO 10' HIGH	19"	8"
OVER 10' HIGH	21"	9"

DIMENSION TABLES - MINIMUM OVERHEAD CLEARANCE (B) INDICATED

STEP 3 INSTALL BOTTOM BAR STOPS AND GUIDES

Assemble the bottom bar stops to the guides as shown using one 1/4-20 x 5/8" carriage bolt and flange nut per stop. Leave the bolts loose enough to allow the bottom bar stop to pivot when the bottom bar will be pulled into the guides. You will be instructed to tighten the bottom bar stop fasteners in step #7.

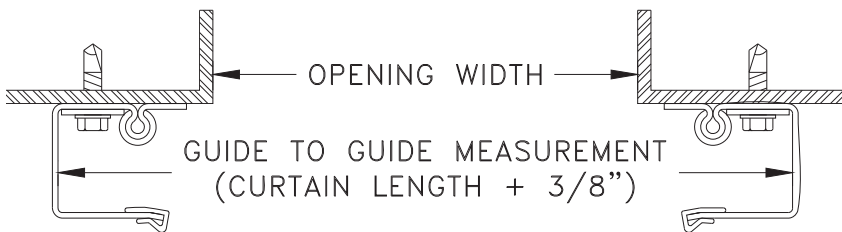
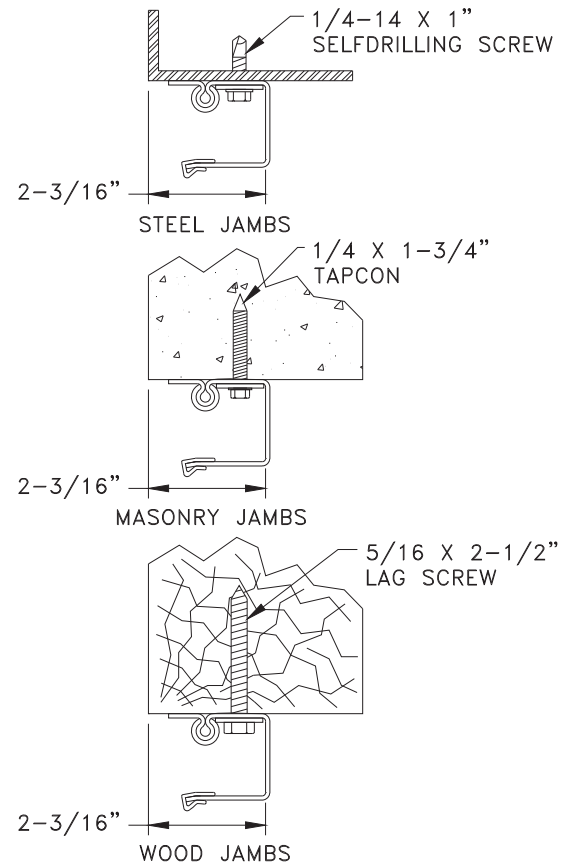


WARNING

Failure to install bottom bar stops can cause door curtain to expel from guides and drop down uncontrollably, causing possible serious injury or death.

Loosely clamp the right hand guide to the right hand jamb so that the inside of the guide is set back 2-3/16" from the jamb as shown to the right. Adjust the guide so that it is level and tighten the clamp(s). Double check that the inside of the guide is set back 2-3/16" at the top, middle, and bottom and install guide fasteners in the top and bottom holes only.

Measure the exact curtain length of the door coil and add 3/8". This will be the inside of guide to inside of guide measurement as shown below. Use this measurement to locate the left hand guide on the left hand jamb and clamp in place. Verify that both guides are level and double check the guide to guide measurement at the top, middle, and bottom to ensure that the guides are properly located. Using a string and a level, ensure that the guides are parallel to each other, shimming if necessary, to achieve both vertical and horizontal leveling. Now install the remaining bolts in both guides.



IMPORTANT!

Guide to guide measurement must be held to ensure proper door operation.

IMPORTANT!

Use of any other fasteners than those provided must be approved by manufacturer or building authority and cannot be of lesser diameter or grade.

STEP 4 INSTALL BRACKETS, DRIVE COMPONENTS, AND TENSIONERS

From the Dimension Tables on page 4, mark the width location of each bracket by using dimension A for the operator side and 6" for the non-operator side. If the actual opening width varies from the packing slip width, adjust these dimensions by adding or subtracting $\frac{1}{2}$ of the difference to each dimension. Subtract if the opening is larger and add if smaller. Mark the height location of the brackets by using dimension C. Verify the ceiling clearance minimum from dimension B. Use a string and a level to verify that the brackets are level with each other. Adjust bracket height as needed to level. Drill anchor holes and fasten the brackets with the anchors provided.

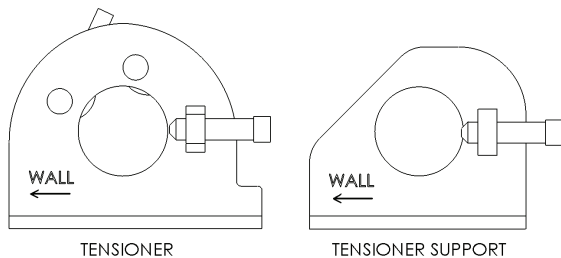
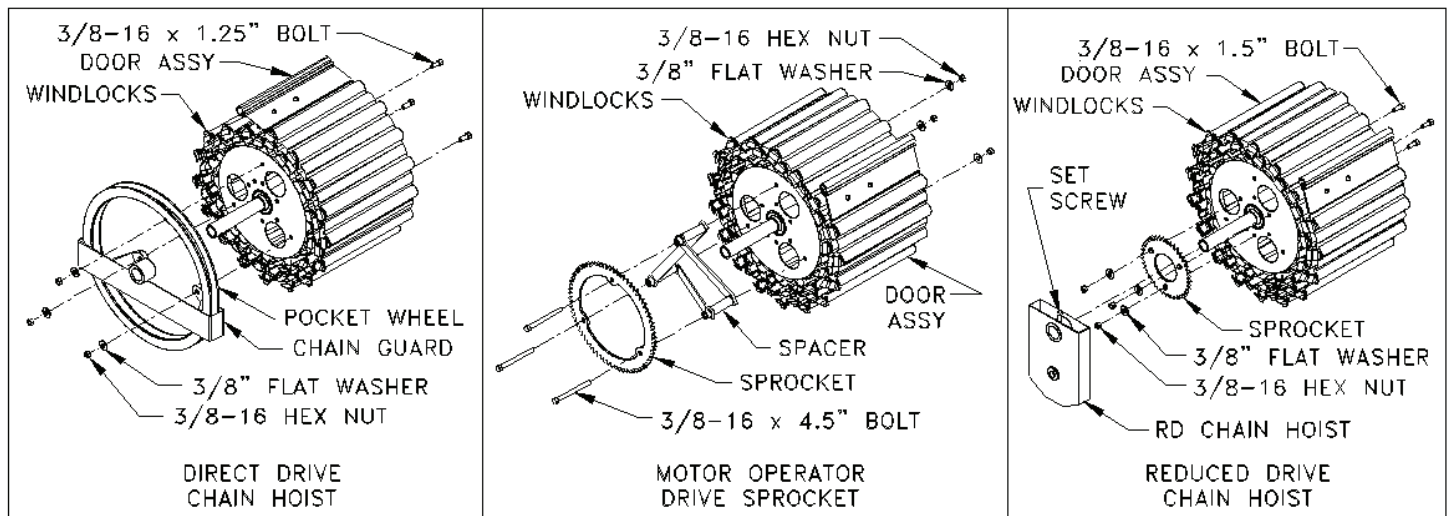
IMPORTANT!

Brackets must be level to each other with respect to height. Failure to level bracket heights will prevent door from operating properly.

If the door is to be chain hoist or motor operated, install the components shown below to the operator side of the curtain at this time. Do not tighten set screws at this time, you will be instructed to tighten these in step #9.

WARNING

Keep loose clothing, fingers, hands and arms away from all moving mechanisms, or serious injury or death could result.



After installing the brackets and drive components, install the axle tensioner devices. On the non-operator side of the curtain slide the tensioner device on the axle and ensure the arrow pointing to the wall on the device will point to the wall when the door is installed. Next, slide the tensioner support device on the opposite side of the axle, again making sure that the arrow on the device points to the wall.

IMPORTANT!

Tension holding assemblies must be oriented correctly in order to hold tension on the door.

STEP 5 LIFTING THE DOOR ASSEMBLY

! WARNING

Door assembly is extremely heavy. Do not allow door assembly to fall from lifting mechanism, or serious injury or death could result.

Lift the curtain assembly up to the support brackets. Align tensioner devices with the brackets so that when door is lowered down to the brackets, both devices will sit on top of the brackets. Be sure that the door is able to revolve without scraping against door header or guides. Rotate curtain assembly so that bottom bar angle is at the bottom of the curtain roll. Now, remove the cardboard packaging from the door.

! WARNING

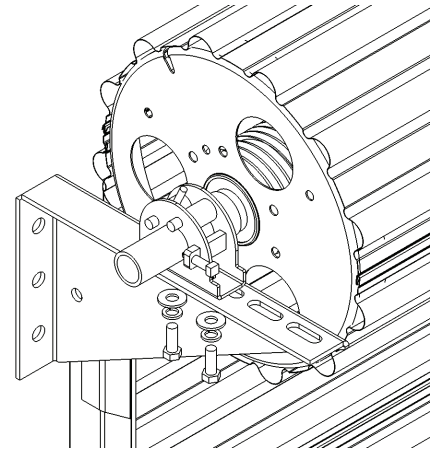
To avoid serious injury or death, never walk, stand, or work below door assembly before it is secured to support brackets.

STEP 6 SECURE TENSIONERS TO BRACKETS

Ensure that the bottom bar angle is at the bottom of the curtain roll and secure the tension devices to the brackets using the (2) 3/8"x1" bolts, lock washers, and washers. Tighten bolts 1/2 turn past snug.

IMPORTANT!

Tensioners must be installed as close to header as possible per step #5.



STEP 7 APPLY INITIAL TENSION TO THE DOOR SPRINGS

Start with the bottom bar angle at the bottom of the curtain roll and use a pipe wrench to rotate the axle approximately 1 turn to pre-tension the door. The amount of tension required may vary slightly. Final adjustment, if necessary, will be made in Step #10.

IMPORTANT!

Tighten the set screws on both tensioners before operating the door.

! WARNING

Always stand to one side of wrench when applying tension, to avoid injury if you lose control of wrench.

Cut the tape that holds the door in a roll and gently pull the curtain down into the guides on both sides until the bottom bar is below the bottom bar stops. Do not pry on the bottom bar stops to get bottom bar past, loosen fasteners until bottom bar angle easily clears stops. If the door has a tendency to close, secure in position using clamps. If the door has a tendency to rise, secure in position using a wood prop. While the door is secured from moving, tighten the bottom bar stop fasteners on both guide assemblies.

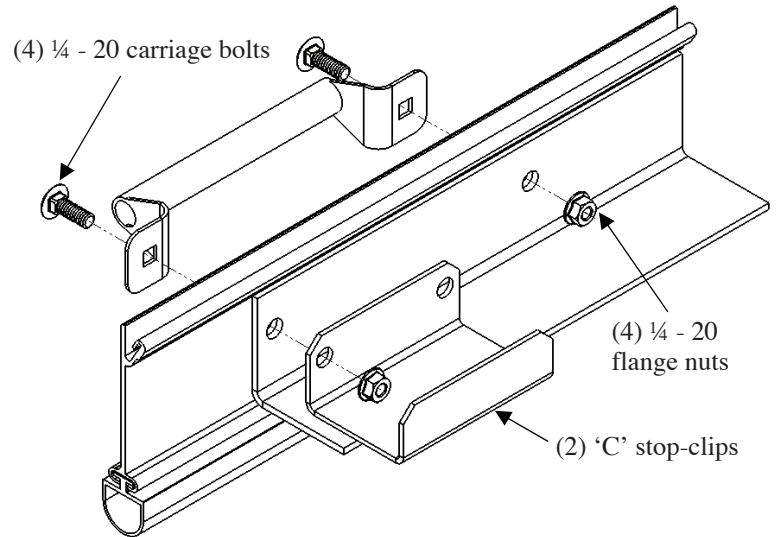
! WARNING

Spring tension can cause curtain roll to rotate rapidly. Securely hold curtain roll from rotating while applying pretension or serious injury or death could result.

STEP 8 INSTALL STOP CLIPS AND SLIDE BOLT LOCKS

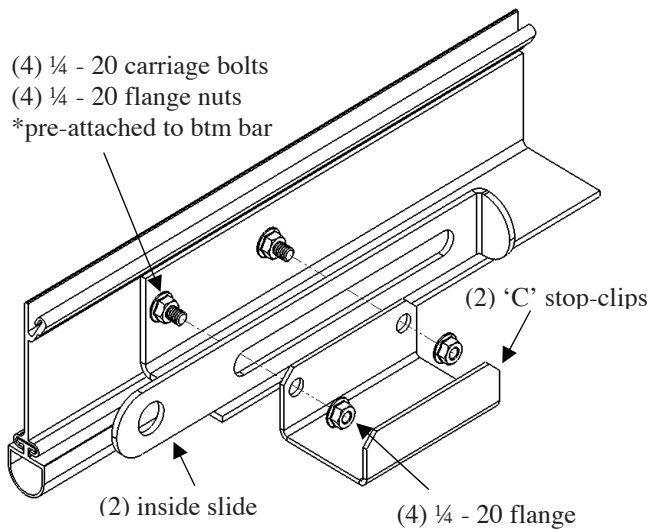
I: 'C' Stop-Clip Attachment:

For doors with an aluminum bottom bar, a 'C' stop-clip will need to be installed. Only one bolt is required to secure the stop-clip to the bottom bar when attaching a lift handle on that side. Repeat assembly procedure for opposite side. Install lift handle and pull rope at the center of the bottom bar.



II: 'C' Stop-Clip w/ Inside Slide Bolt Attachment:

For doors with inside slide bolt locks, install the 'C' stop-clips as shown on the right. The bottom bar will have (4) carriage bolts & flange nuts pre-attached. **Verify that the flat sides of the nuts are horizontal to the bottom bar.** This ensures smooth operation of the slide bolt. Place the slide bolt lock so that the slot rides on the flange nuts. Then, add the stop-clip and attach, using the flanged nuts. Repeat assembly procedure for opposite side. Install lift handle and pull rope at the center of the bottom bar.



! WARNING

Failure to properly install stop-clips to the bottom of the door may result in serious injury or death

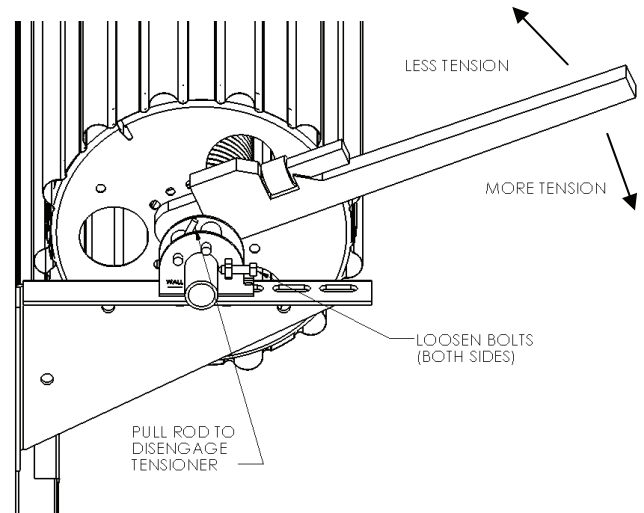
STEP 9 LUBRICATE AND ADJUST THE GUIDES

Lubricate the insides of the guides and wearstrips with weather resistant lubricating spray. Be sure to spray lubricant over the flares at the tops of the guides. Move the door up and down to check for proper operation. Adjust the guides and mounting angles if necessary to allow for proper clearance and operation.

STEP 10 CHECK AND ADJUST SPRING BALANCE

Lower and raise the door to check the counterbalance. If the door lowers easily and raises hard, more spring tension is required. If the door lowers hard and raises easily, less spring tension is required. First, open the door fully and fasten vise grips to guides below bottom bar. Then, loosen the set screws on both tensioners.

To remove tension, slightly pull down on the pipe wrench to unlock the tensioner. Then, pull and hold the small rod on the top of the tensioner to completely disengage the tensioner. Slowly release tension by allowing the wrench to rotate. Release the tensioner rod to lock the axle in place while re-adjusting the pipe wrench.



Before operating the door, re-tighten the set screws on the tensioners. Remember to tighten all 3 square-headed locking bolts on the tensioner devices when finished to maintain desired adjustment.

Repeat the above procedure if further adjustments are required. Once all adjustments have been made and the door is operating properly, recheck all fasteners and bolted connections to ensure that they are in place and properly tightened. Verify that all set screws in the components installed in step #4 have been tightened.

WARNING

Securely hold door curtain until bottom bar stop fasteners have been tightened. If not securely held, door may raise or drop, possibly causing injury or death.

WARNING

Never remove bottom bar stops when adjusting tension, otherwise, door can spin uncontrollably resulting in serious injury or death.

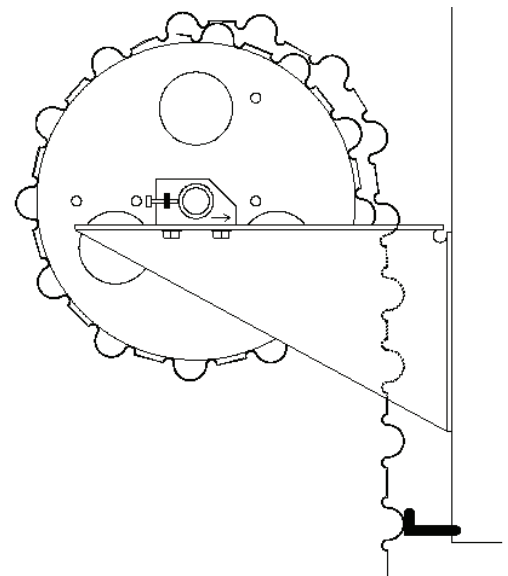
WARNING

Once the tensioner rod is disengaged, hold wrench securely. Springs can cause serious injury if not controlled properly.

STEP 11 INSTALLATION OF TOP DRAFT STOP

Close the door and secure it in the down position. Use a pencil to mark the door panel corrugation that is parallel with the bottom of the header/lintel from the outside of the opening. If this corrugation protrudes below the header, mark the one just above. Open the door until the marked corrugation is accessible.

Stretch the top draft stop across the door and attach it to the curtain on the marked corrugation using the #8 x 1/2" self-drilling screws, locating the screws every 12" on center. Trim the Top Draft Stop to clear the guides if required. When the door is closed, the draft-stop should seal on the header.



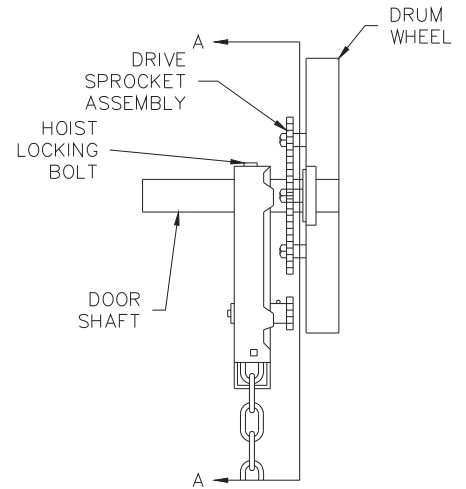
NOTE: Top Draft Stop may not seal on header if not installed on a corrugation as shown.

REDUCED DRIVE CHAIN HOIST INSTALLATION INSTRUCTIONS (if applicable)

STEP 11 ALIGN THE SPROCKETS

Feed the hand chain through the pocket wheel assembly (installed in step #4), around the cast iron hand chain wheel, and connect the two end links.

Align the chain hoist so that the 41B9 sprocket on the pocket wheel assembly is in line with the 41A40 sprocket bolted to the barrel. Next, tighten the hoist-locking bolts to lock the pocket wheel assembly to the shaft to prevent it from shifting or rocking.



! WARNING

Hoist locking bolts must be tight to ensure hoist cannot shift and permit roller chain to come off, thereby allowing door to drop possibly causing severe injury or death.

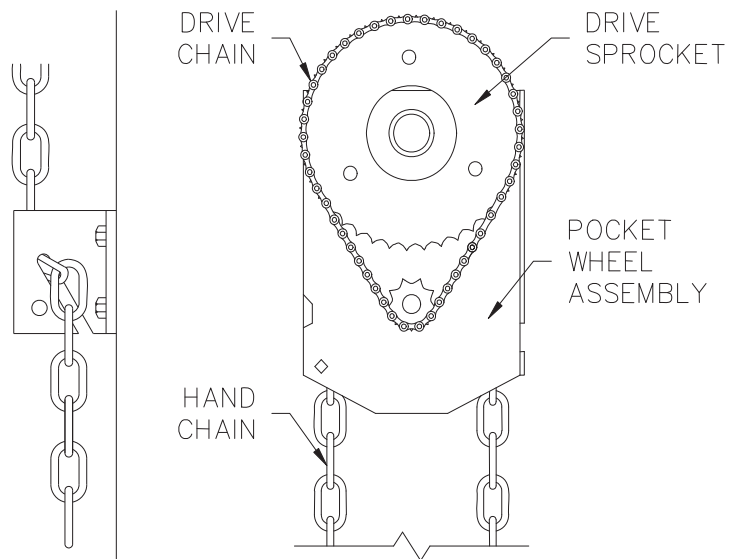
Next, connect the #41 roller chain between the pocket wheel assembly sprocket and the barrel sprocket. Now run the door up and down several times to ensure that the roller chain does not come off. If it does, go back and check the alignment of the sprockets.

! WARNING

Keep loose clothing, fingers, hands, and arms away from all moving mechanisms and places where chain meets either sprocket, or serious injury or death could result.

STEP 12 INSTALL THE CHAIN KEEPER

Now install the hand chain keeper to the wall approximately four feet above the finished floor with the hardware provided. Refer to the figure in step #7 of this manual for an additional view.





Roll-Up Sheet Door LIMITED WARRANTY

Wayne-Dalton
P.O. Box 67- Mt. Hope, Ohio 44660

The Manufacturer warrants the ROLL-UP SHEET DOOR and hardware fittings for a period of ONE YEAR from the time of delivery against any defects in workmanship or material. Manufacturer shall, upon notification, correct such nonconformity at its option, by repairing or replacing any defective part or parts.

NO EMPLOYEE, DISTRIBUTOR, OR REPRESENTATIVE IS AUTHORIZED TO CHANGE THE FOREGOING WARRANTIES IN ANY WAY OR GRANT ANY OTHER WARRANTY ON BEHALF OF MANUFACTURER.

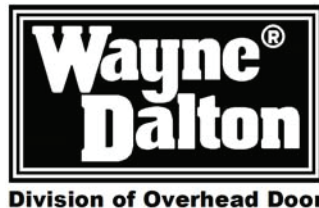
The Manufacturer shall not be responsible for any damage resulting to or caused by its products by reason of installation, improper storage, unauthorized service, alteration of products, neglect or abuse, or attempt to use the products for other than the customary usage or for their intended purposes. The ROLL-UP SHEET DOOR warranty becomes null and void if other than Manufacturer's specified holes are drilled. The above warranty does not cover wear or any damage beyond Manufacturer's control or replacement labor.

THIS WARRANTY COVERS A COMMERCIAL PRODUCT, THE FOREGOING WARRANTIES ARE IN LIEU OF ALL OTHER WARRANTIES AND NO REPRESENTATIONS, GUARANTEES, OR WARRANTIES, EXPRESSED OR IMPLIED, (INCLUDING, BUT NOT LIMITED TO, THE WARRANTY OF MERCHANTABILITY OR FITNESS FOR PARTICULAR PURPOSE), ARE MADE BY MANUFACTURER IN CONNECTION WITH MANUFACTURE OR SALE OF ITS PRODUCTS.

Claims for defects in material and workmanship covered by this warranty shall be made in writing to the dealer from whom the product was purchased within the warranty period. Manufacturer may either send a service representative or have the product returned to the Manufacturer at Buyer's expense for inspection. If judged by Manufacturer to be defective in material or workmanship, the product will be replaced or repaired at the option of Manufacturer, free from all charges except authorized transportation and replacement labor.

THE REMEDIES OF BUYER SET FORTH HEREIN ARE EXCLUSIVE AND ARE IN LIEU OF ALL OTHER REMEDIES. THE LIABILITY OF MANUFACTURER, WHETHER IN CONTRACT, TORT, UNDER ANY WARRANTY, OR OTHERWISE, SHALL NOT EXTEND BEYOND ITS OBLIGATION TO REPAIR OR REPLACE, AT ITS OPTION, ANY PRODUCT OR PART FOUND BY MANUFACTURER TO BE DEFECTIVE IN MATERIAL OR WORKMANSHIP. MANUFACTURER SHALL NOT BE LIABLE FOR COST OF REMOVAL OR INSTALLATION OR SHALL NOT BE RESPONSIBLE FOR ANY DIRECT, INDIRECT, SPECIAL, OR CONSEQUENTIAL DAMAGES OF ANY NATURE.

This warranty gives you specific legal rights which may vary from state to state. However, some states do not allow limitations on how long an implied warranty lasts or the exclusion or limitation of incidental or consequential damages, so the above limitations or exclusions may not apply to you.



**Wayne-Dalton
Door & Systems Division
2589 County Road 168
Dundee, OH 44624
1-800-795-5095**

