



StyleView Series

Architecturally stunning, maintenance-free aluminum doors.

An inspiration in both form and function, our StyleView Series offers architectural flexibility, maximum visibility and extreme durability in maintenance-free aluminum doors. The Custom Profile, Wide Profile and Narrow Profile models feature a series of unprecedented designs, architectural glass options and 187 ArmorBrite™ or 7 anodized color finishes to showcase a home's unique flair. From modern styles to classic facades, StyleView is the choice for achieving a contemporary look or accentuating the design of any residence.



Custom Profile

An ideal complement to modern, conventional and rustic styles, the Custom Profile model is a 2" thick rail and stile door with a standard joint seal. Engineered for resilience and exceptional beauty, the Custom Profile model offers a maintenance-free alternative to steel and wood carriage house doors.



Wide Profile

If you are looking for a heavy-duty door that will enhance your home's unique style or timeless architecture, the Wide Profile model is the answer. Designed for both strength and durability, the 2" thick Wide Profile door features rail and stile construction with a standard joint seal.



Narrow Profile

Accented with a streamlined design, the Narrow Profile model is a 1-3/4" thick door with a ship lap section joint and standard joint seal. This model is a maintenance-free solution for your garage door needs. In addition, Narrow Profile doors feature architectural variation with multiple glass options for contemporary and traditional styles alike.



Richards-Wilcox
Premium Garage Doors



THE RICHARDS-WILCOX **DIFFERENCE**

Since 1912

Incorporated in 1912, Richards-Wilcox was the first company in Canada to introduce sectional overhead doors and establish nationwide distribution channels. In the 1970s, RW launched a full line of steel sectional doors. In the 1980s, we began production of a continuous polyurethane insulated section – one of only three lines of its kind in North America.

The subsequent decades have brought continual improvements to our product offerings and manufacturing processes, including the addition of a full range of residential polyurethane insulated sectional doors. Celebrating our first centenary, RW is proud of our rich history of excellence. We are committed to be innovators of sectional door design and purpose to be the highest quality door systems manufacturer in the world.

Here's why a Richards-Wilcox garage door should be your only choice:



One of the best engineered door systems in the world



Backed by exclusive LifeTimer™ warranties



Made in Canada and sold in over 45 countries around the world



Installed by Authorized Richards-Wilcox Dealers



Celebrating 100 years in business



Quality Production

Every aspect of our manufacturing operation is subject to the highest standards. Our team of engineers is dedicated to researching state-of-the-art design and production methods. An in-house testing facility and uncompromising quality control inspections make certain that only premium products leave the premises. Using the best available materials and technology guarantees that the finished door system will be reliable, strong, and worry-free for years to come.



RW Authorized Dealers – Best in the Business

From the initial planning stages to final installation, RW Authorized Dealers and Installers are located in over 40 countries around the globe to provide you with expert service and advice. They can help you select the right door system for your home and ensure that it is installed to run smoothly, efficiently and provide many years of trouble free operation. Additional support is readily available from our excellent customer service team and sales staff.



Environment

At RW, we take our environmental responsibility seriously. Our CFC/HCF free Neufoam™ insulation is zero-ozone depleting and provides significant energy savings for your home. RW door systems can be credited in the LEED (Leadership in Energy & Environmental Design) certification program for recycled contents, efficiencies, occupant's comfort, and innovative design.

StyleView

An inspiration in both form and function, Richards-Wilcox StyleView offers architectural flexibility, maximum visibility and extreme durability in maintenance-free aluminum door. The Custom Profile, Wide Profile and Narrow Profile models feature a series of unprecedented designs, architectural glass options and 187 ArmorBrite™ or 7 anodized color finishes to showcase a home's unique flair. From modern styles to classic facades, StyleView is the choice for achieving a contemporary look or accentuating the design of an older residence.

Anodized Finish Options



StyleView Narrow Profile - Single Car

ArmorBrite™ Color System

Choose from over 187 Richards-Wilcox ArmorBrite™ colours.



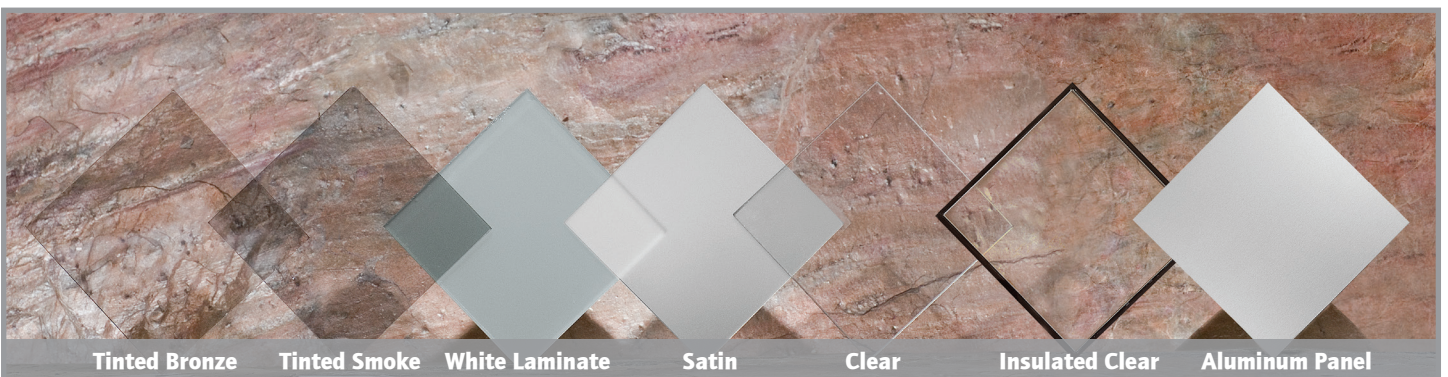
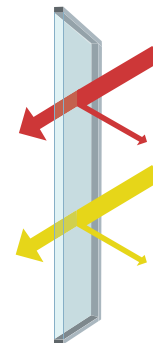
Glass Options

Low-E Glass Also Available

Low-E glass is the solution for long-term exposure to high temperatures by allowing full visibility, while providing a barrier from the sun. Low-E glass is only available for StyleView doors with insulated glass.

Glazing options range in a variety of colors and thickness including: 1/8", 3/16", 1/4" and 1/2" insulated.

See below for glass options.





Custom Millcreek

Hardware Options

Track Options

Galvanized (Standard)
White
Black



Limited Warranty*

Door Sections

Richards-Wilcox warrants StyleView door sections against defects in material and workmanship, for the original purchaser, for "As Long As You Own Your Home."

Window Components

Window components are warranted against defects in material and workmanship for three (3) years from the date of delivery to the original purchaser.

ArmorBrite™

Richards-Wilcox warrants StyleView™ sections painted with ArmorBrite powder coat finishes against cracking or peeling for five (5) years from the date of delivery to the original purchaser.

Galvanized Hardware & Springs

Richards-Wilcox warrants all galvanized hardware for six (6) years and spring components for three (3) years against defects in material and workmanship from the date of delivery to the original purchaser.

EnduraCote™

Richards-Wilcox warrants all hardware and springs against defects in material and workmanship for "As Long As You Own Your Home".

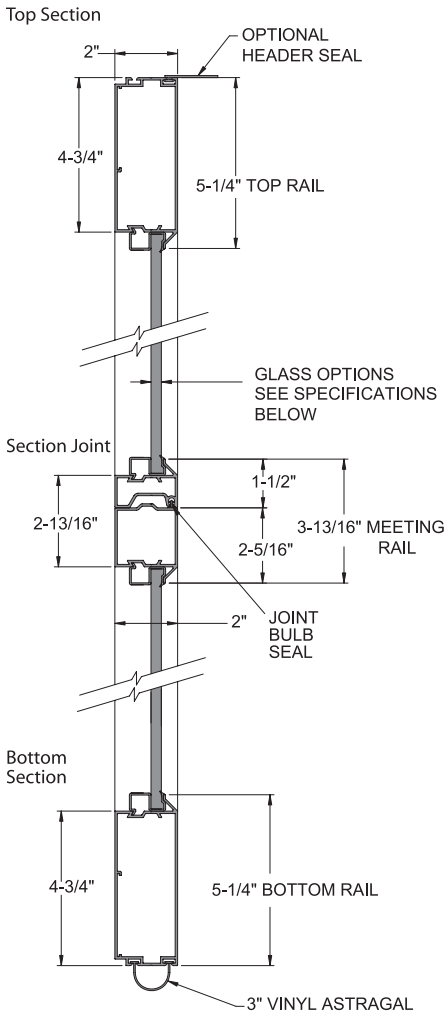
*Full limited warranty details are available from your local dealer.

Wide Profile

If you are looking for a heavy-duty door that will enhance your home's panache or timeless architecture, the Wide Profile model is the answer. Designed for both strength and durability, the 2" thick Wide Profile door features rail and stile construction with a standard joint seal. This model also offers 187 ArmorBrite™ exterior finish options or 7 anodized finishes. For added design flexibility, the Wide Profile model is also available with window thicknesses ranging from 1/8" to 1/2", in various glass types including: frosted, laminate, reflective, satin, tinted, tempered and insulated.



Wide Profile, ArmorBrite white rails with 1/8" satin glass

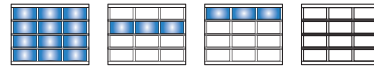


Narrow & Wide Profile*

Single Car

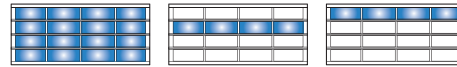


Single car, 4'0" to 9'2", 2 panel design



Single car, 9'3" to 12'2", 3 panel design

Double Car

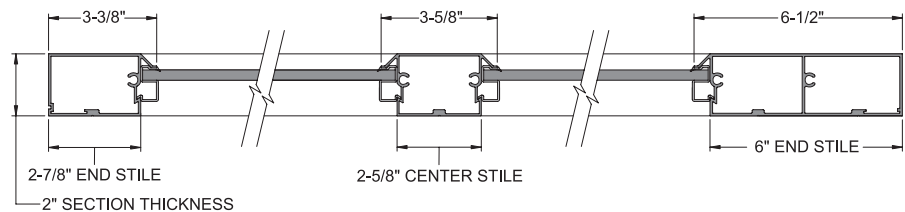


Double car 12'3" to 20'0", 4&5 panel designs



Double car 12'3" to 20'0", 4&5 panel designs

* 7 feet high illustrations shown



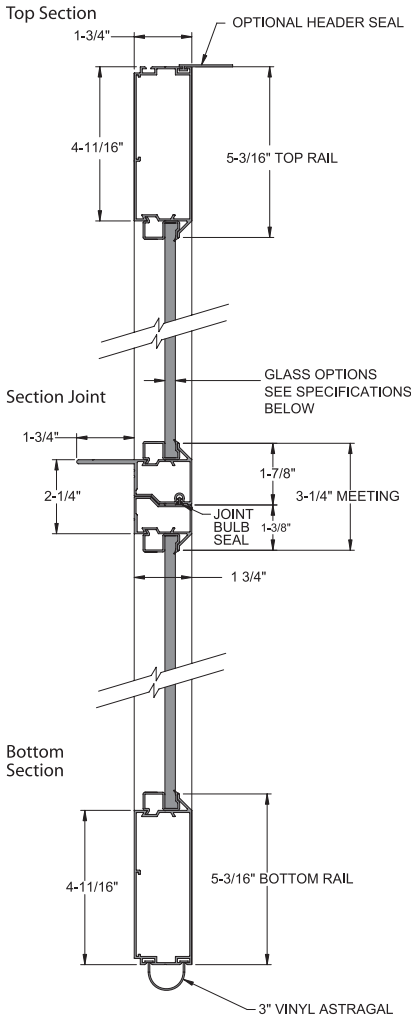
Door Width	Door Height	Section Thickness	Section Joint	Door Styles	Window Designs	Glass Thickness	Glass Type	End Stile Width	Center Stile Width	Batten Width	Finish	Track/Hardware Finish	Limited Warranty
4'-16'	6'-10'	2"	Tongue & Groove	See Profile Options Above	1 Pane	1/8", 3/16", 1/4", 1/2"	Clear Laminate, Acrylic, Insulated, Reflective, Tinted, Frosted, Satin	2-7/8" Std, 6" Wide Opt	2-5/8" Std	Not Available	Anodize Finishes, 187 ArmorBrite Colors	Galvanized, EnduraCote™ White, EnduraCote Black	See page 3

Narrow Profile

Accented with a streamlined design, the Narrow Profile model is 1-3/4" thick door with a ship-lap section joint and standard joint seal. This model is a maintenance-free solution for your garage door needs with 187 ArmorBrite™ exterior finishes or 7 anodized finishes. In addition, Narrow Profile doors feature architectural variation with multiple glass options for contemporary and traditional styles alike. The offering includes thicknesses ranging from 1/8" tempered to 1/2" insulated in various glass types, including frosted, laminate, reflective and tinted.



Narrow Profile, ArmorBrite white rails with 1/8" tempered black glass

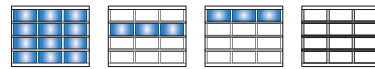


Narrow & Wide Profile*

Single Car

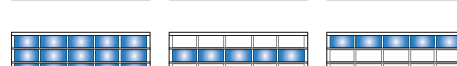


Single car, 4'0" to 9'2", 2 panel design



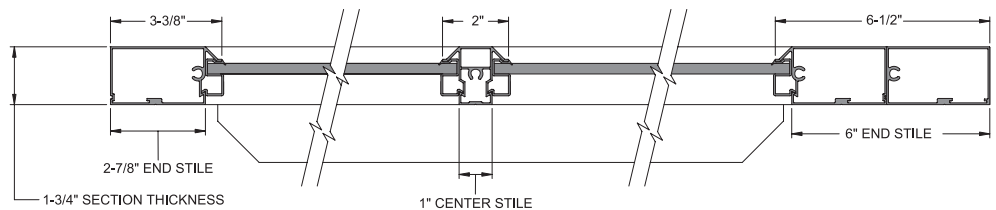
Single car, 9'3" to 12'2", 3 panel design

Double Car



Double car 12'3" to 20'0", 4&5 panel designs

* 7 feet high illustrations shown



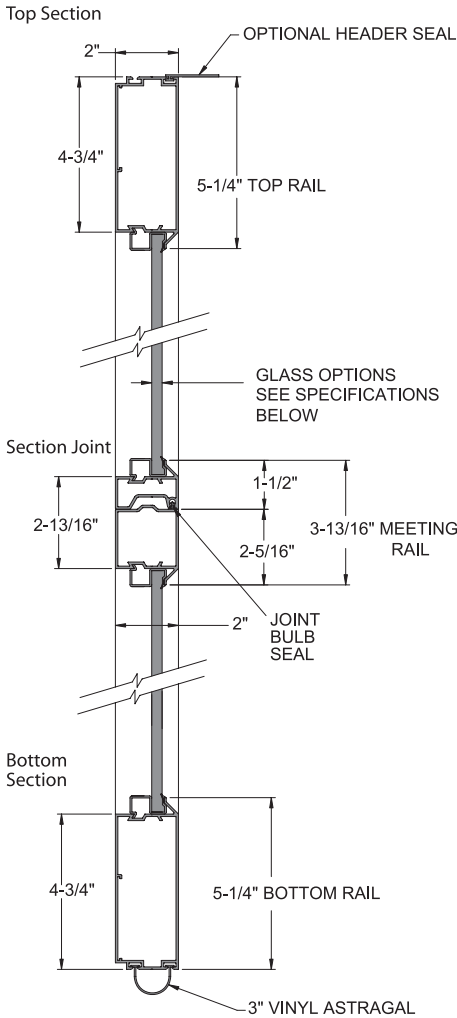
Door Width	Door Height	Section Thickness	Section Joint	Door Styles	Window Designs	Glass Thickness	Glass Type	End Stile Width	Center Stile Width	Batten Width	Finish	Track/Hardware Finish	Limited Warranty
4'-16'	6'-10'	1-3/4"	Ship-Lap	See Profile Options Above	1 Pane	1/8", 3/16", 1/4", 1/2"	Clear Laminate, Acrylic, Insulated, Reflective, Tinted, Frosted, Satin	2-7/8" Std, 6" Opt	1" Std	Not Available	Anodize Finishes, 187 ArmorBrite Colors	Galvanized, EnduraCote™ White, EnduraCote Black	See page 3

Custom Mixed Panel

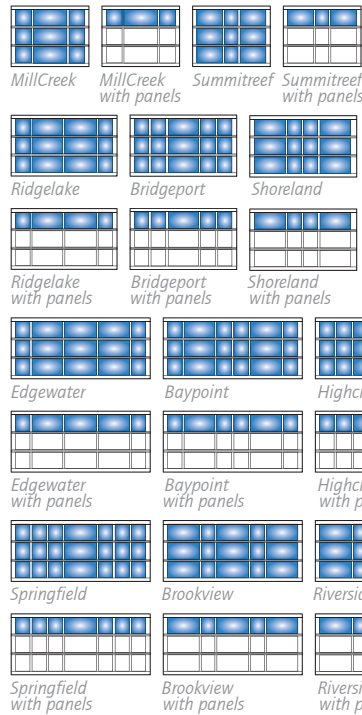
A perfect alternative to standard steel doors, StyleView Custom Profile Mixed Panel designs offer a distinctive look for your home. By utilizing various panel spacing options, the Mixed Panel model will differentiate your garage door from others in your neighborhood. Featuring 187 ArmorBrite™ or 7 anodized finishes and a variety of glass options, StyleView Custom Mixed Panel doors complement the individuality of your residence.



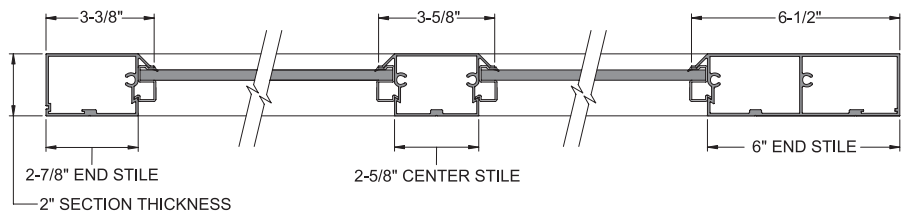
Custom Millcreek, ArmorBrite gray panels with satin glass



Custom Mixed Panel*



* 7 feet high illustrations shown



Door Width	Door Height	Section Thickness	Section Joint	Door Styles	Window Designs	Glass Thickness	Glass Type	End Stile Width	Center Stile Width	Batten Width	Finish	Track/Hardware Finish	Limited Warranty
4'-16'	6'-10'	2"	Tongue & Groove	See Panel Options Above	1 Pane	1/8", 3/16", 1/4", 1/2"	Clear Laminate, Acrylic, Insulated, Reflective, Tinted, Frosted, Satin	6" Wide Std	2-5/8" Std	Not Available	Anodize Finishes, 187 ArmorBrite Colors	Galvanized, EnduraCote™ White, EnduraCote Black	See page 3



For additional premium garage door choices,
please contact your local RW dealer.

Professionally installed and serviced by:

Richards-Wilcox Premium Garage Doors – Engineered for life
5100 Timberlea Boulevard, Mississauga, Ontario Canada L4W 2S5

Toll Free: 1 (800) 667-1572 | Tel: (905) 625-0037 | Fax: (905) 625-0057 | Email: info@rwdoors.com

www.rwdoors.com

