

Logic 5.0 Commercial Door Operator

USER'S GUIDE

Security+ 2.0®



Models T, APT, H, J, HJ, GH, and GT



THIS PRODUCT IS TO BE INSTALLED AND SERVICED BY A TRAINED DOOR SYSTEMS TECHNICIAN ONLY.

Operators are shipped in C2 operating mode.
Visit www.liftmaster.com to locate a professional installing dealer in your area.

2 YEAR WARRANTY

Serial # _____

Installation Date _____

CONTACT INFORMATION



LiftMaster
300 Windsor Drive
Oak Brook, IL 60523

LiftMaster.com

LiftMaster®

ELITE SERIES®

INTRODUCTION

Congratulations on purchasing a quality LiftMaster Logic 5.0 Commercial Door Operator.

The Logic 5.0 operator provides everything you know and trust in the prior version, plus the new features listed below:

MyQ® Technology

- Enables secure monitoring and control of the operator with a smartphone, tablet or computer (requires a LiftMaster Internet Gateway)

Security+ 2.0®

- Increased security – with every click a new code is sent to the commercial door operator ensuring the door opens only for the individual pressing the remote
- Enhanced radio communicates with tri-band frequency to improve range and reduce interference – assuring the door opens, stops and closes conveniently and reliably every time

Dual Voltages

- Single phase operators provide (115V and 230V)
- 3 phase operators provide (208/230V and 460V)
- 575V operator

CYCLE RATINGS

STANDARD DUTY:

Up to 25 cycles/hr. at peak periods.
Up to 80-90 cycles/day.

Models T, APT, J, DJ,
H, DHJ, & SD

HEAVY DUTY:

25 cycles/hr. constant high loading
in excess of 90 cycles/day.

Models GT, GH, & GSD

PROGRAMMING

INTRODUCTION TO PROGRAMMING

Many programmable functions require that a LiftMaster Entrapment Protection (LMEP) Device be installed in order to function.

Before programming the logic board, set the operator's open and close limits. LEDs on the logic board are provided to assist setting the limits. As each limit is activated the corresponding LED will light up. The abbreviations are Open Limit Switch (OLS), Close Limit Switch (CLS) and Sensing Limit Switch (SLS).

When power is applied to the operator, the following LED's will illuminate: STOP, CLOSE, OPEN, LMEP, 24Vac, RADIO, DATA, TIMER ENABLE, OLS MID, SLS, CLS, and MAS. Once the power up process is completed (approximately 2-3 seconds) only the appropriate LED's will continue to be lit (i.e., STOP, 24Vdc, limit LED(s) if limit(s) is activated).

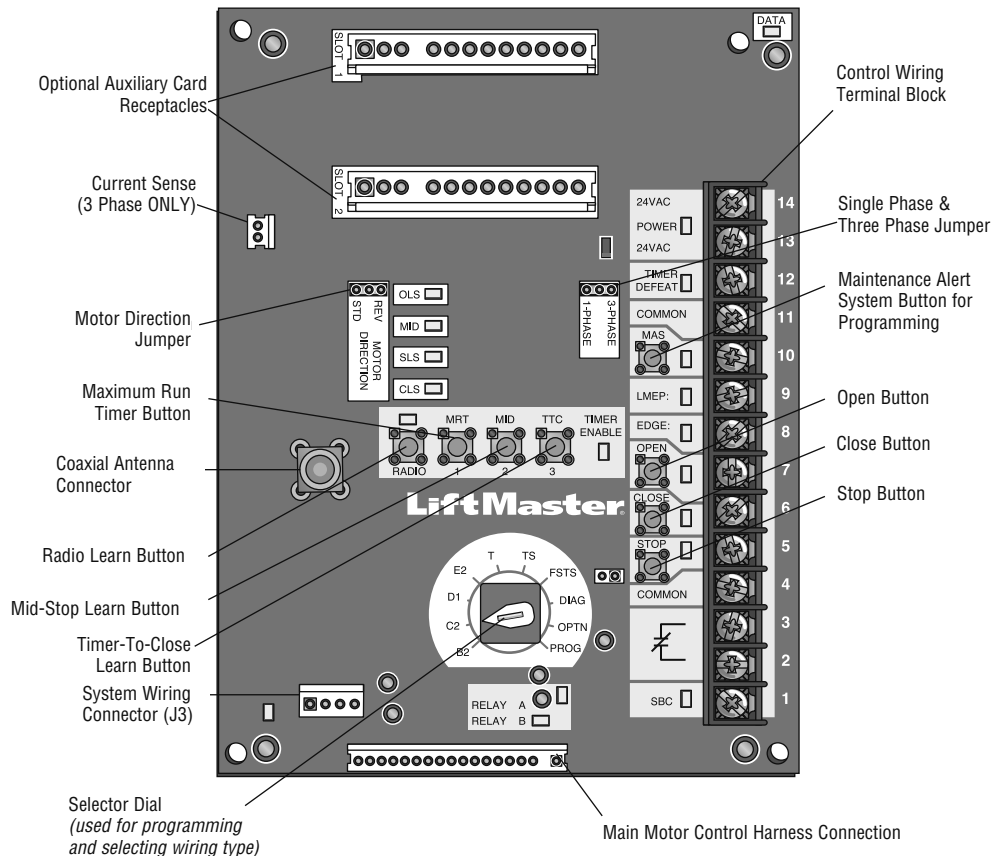
NOTE: When the power up process is over, the MAS LED will blink a code indicating the version of firmware. If the selector dial is in the DIAG, OPTN, or PROG position, the MAS will not provide this code. After the code has been provided the MAS LED will go out.

LOGIC BOARD PUSH BUTTONS (OPEN, CLOSE, STOP)

Open, Close and Stop buttons are mounted directly on the logic board. Thus, making it easy to program as well as having the door control at the electrical box.

Either the stop control or a jumper MUST be wired between terminals 4 and 5 for the push buttons to function.

LOGIC BOARD OVERVIEW



PROGRAMMING

DETERMINE AND SET WIRING TYPE

Read the descriptions of the different wiring types to determine which setting will be correct for each application. Once the wiring type is determined, set the selector dial accordingly.

LIFTMASTER MONITORED ENTRAPMENT PROTECTION (LMEP) DEVICE IS REQUIRED

A LiftMaster Entrapment Protection (LMEP) Device is **required** for the following wiring types.

- B2** Momentary contact to open, close and stop, plus wiring for sensing device to reverse and auxiliary devices to open and close with open override. Programmable mid stop available with this wiring type. **Compatible with 3-Button Station, 1-Button Station, 1 and 3-Button Remote Control.**

TS (TIMER SECURE)

This mode will attempt to close the door from any position except when fully closed, or when a safety input is present. The stop button will not disable the Timer-To-Close at any position. To disable the Timer-To-Close in this mode, installation of a defeat switch is required (see wiring diagram on the inside cover of operator).

Momentary contact to open, close, and stop with open override and Timer-To-Close. Every device that causes door to open, including a reversing device, activates the Timer-To-Close. Auxiliary controls can be connected to open input to activate the Timer-To-Close. If the timer has been activated, the open button and radio control can recycle the timer. The Timer-To-Close will function from the programmable mid stop with this wiring type. **Compatible with 3-Button Station, 1-Button Station and 1 and 3-Button Remote Control.**

NOTE: A Programmable "Car Dealer Mode" available.

- T** Momentary contact to open, close, and stop, with open override and Timer-To-Close. Every device that causes the door to open, except any sensing edge input device, activates the Timer-To-Close. Auxiliary controls can be connected to open input to activate the Timer-To-Close. If the Timer-To-Close has been activated, the open button and radio control can recycle the timer. The stop button will deactivate the timer until the next command input. The Timer-To-Close will function from the programmable mid stop with this wiring type. **Compatible with 3-Button Station, 1-Button Station and 1 and 3-Button Remote Control.**

NOTE: Programmable "Car Dealer Mode" available.

- FSTS** Momentary button contact for open, close and stop programming. User set mid stop. User set Timer-To-Close. The single button station opens the door to the full open limit bypassing the mid stop and activates the Timer-To-Close, putting the operator in TS mode until the door reaches the down limit, or is stopped in travel. At which time the operator enters the B2 mode.

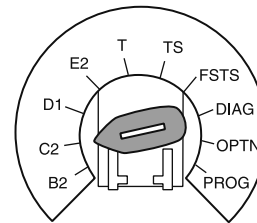
Compatible with 3-Button Station, 1-Button Station, 1 and 3-Button Remote Control. A 1-Button remote control in FSTS mode will open only with the Timer-To-Close, bypassing a programmed mid stop. The Timer-To-Close will reset and reverse when closing.

LIFTMASTER MONITORED ENTRAPMENT PROTECTION (LMEP) DEVICE IS RECOMMENDED

A LiftMaster Entrapment Protection (LMEP) Device is recommended for the following wiring types.

- C2** Momentary contact to open and stop with constant pressure to close, open override plus wiring for sensing device to reverse. Programmable mid stop available with this wiring type. **Compatible with 3-Button Station and 1-Button Station.**
- E2** Momentary contact to open with override and constant pressure to close. Release of close button will cause door to reverse (roll-back feature) plus wiring for sensing device to reverse. **Compatible with 3-Button Station.**
- D1** Constant pressure to open and close with wiring for sensing device to stop. **Compatible with 2 or 3-Button Station.**

SELECTOR DIAL



IMPORTANT NOTES:

1. External interlocks may be used with all functional modes.
2. Auxiliary devices are any devices that have only dry contacts. Examples: loop detector, pneumatic or electrical treadles, radio controls, one button stations, pull cords, etc.
3. Open override means that the door may be reversed while closing by activating an opening device without the need to use the stop button first.
4. When the door is in a stopped position other than fully closed, and an LMEP or EDGE input is activated, the Restricted Close (RC) feature will allow a close command when the close button is pressed and held. The operator will begin closing after 5 seconds. If the close button is released the door will stop. When in E2 mode, the door will move to the fully open position.

PROGRAMMING

⚠ WARNING

To prevent possible SEVERE INJURY or DEATH:

- Install a LiftMaster Monitored Entrapment Protection (LMEP) Device.
- NEVER permit children to operate or play with door control push buttons or remote controls.
- Activate door ONLY when it can be seen clearly, is properly adjusted and there are no obstructions to door travel.
- ALWAYS keep door in sight until completely closed. NEVER permit anyone to cross the path of closing door.

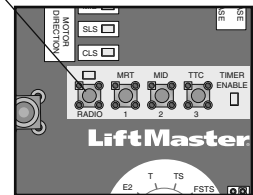
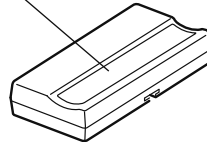
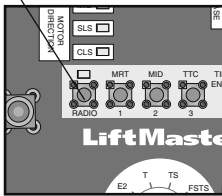
REMOTE CONTROLS

Built in 3-channel, Security+2.0® radio receiver allows you to add up to 90 remote control devices and up to 30 keyless entry devices.

NOTE: The following programming requires a LiftMaster Monitored Entrapment Protection (LMEP) Device.

SINGLE BUTTON REMOTE CONTROL

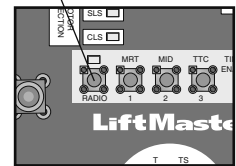
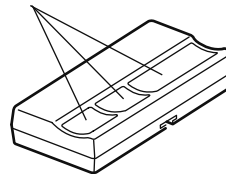
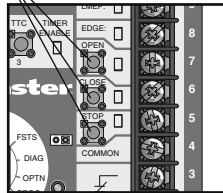
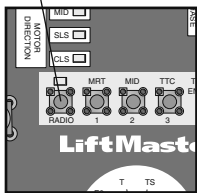
- 1 Press and release the RADIO button (RADIO LED will light).
- 2 Press and hold the remote control button until the RADIO LED flashes rapidly, then release remote control button. The RADIO LED will then remain on solid after releasing the button. Repeat to add additional remote control(s).
- 3 Press and release the RADIO button to complete the programming. The programming mode is exited if no activity is performed within 30 seconds.



3-BUTTON REMOTE CONTROL TO OPERATE AS A WIRELESS 3-BUTTON CONTROL STATION

NOTE: The feature will use 3 of the 90 memory channels in the operator.

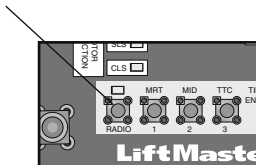
- 1 Press and release the RADIO button on the logic board (the Radio LED will light).
- 2 Press and release the desired button on the logic board (OPEN, CLOSE or STOP). The Radio LED will flash and then stay on solid.
- 3 Press and hold the desired button of the remote control until Radio LED flashes rapidly, then release.
- 4 Press and release the RADIO button to complete the programming. The programming mode is exited if no activity is performed within 30 seconds.



Repeat steps 1 through 4 to program additional buttons.

TO ERASE ALL REMOTE CONTROLS

- 1 Press and hold the RADIO button on the logic board until the RADIO LED flashes rapidly (approximately 5 seconds). All remote controls will be erased.



NOTICE: To comply with FCC and/or Industry Canada (IC) rules, adjustment or modifications of this transceiver are prohibited. THERE ARE NO USER SERVICEABLE PARTS. Any changes or modifications not expressly approved by the party responsible for compliance could void the user's authority to operate the equipment. This device complies with Part 15 of the FCC rules and IC RSS-210. Operation is subject to the following two conditions: (1) this device may not cause harmful interference, and (2) this device must accept any interference received, including interference that may cause undesired operation. This Class B digital apparatus complies with Canadian ICES-003. This device must be installed in a way where a minimum 8" (20 cm) distance is maintained between users/bystanders and device.

PROGRAMMING

MyQ® SETUP (OPTIONAL)

For Smartphone App, tablet or PC control, LiftMaster MyQ Internet Gateway (model 828LM) is required.

1. To enter programming mode, press and release the RADIO button on the logic board (the RADIO LED will light).
2. To program the MyQ device, place the MyQ device into learn mode (see instructions for the specific MyQ device).
3. When the programming is complete the RADIO LED will turn off.

NOTE: *If the programming is not completed within 3 minutes, the program mode will be exited and the RADIO LED will turn off.*

TO ERASE ALL MYQ DEVICES:

1. Press and release the RADIO button on the logic board (the RADIO LED will light).
2. Press and hold the MAS button for 5 seconds. The RADIO LED will flash for approximately 5 seconds and the RADIO LED will turn off.

All MyQ devices are now erased.

Please visit LiftMaster.com/MyQ-CDO for troubleshooting information.

PROGRAMMING

⚠ WARNING

To prevent possible SEVERE INJURY or DEATH:

- Install a LiftMaster Monitored Entrapment Protection (LMEP) Device.
- NEVER permit children to operate or play with door control push buttons or remote controls.

- Activate door ONLY when it can be seen clearly, is properly adjusted and there are no obstructions to door travel.
- ALWAYS keep door in sight until completely closed. NEVER permit anyone to cross path of closing door.

TIMER-TO-CLOSE

Feature: Timer automatically closes the door after preset time. All entrapment protection devices must be unobstructed.

Benefit: The door will automatically close after the preset amount of time. Great for apartment buildings, fire stations and other applications where the end user wants the door to close automatically after a specified amount of time.

Requirements: Must have at least one LiftMaster Monitored Entrapment Protection (LMEP) Device installed (refer to installation manual). Wiring type must be set to TS, T or FSTS.

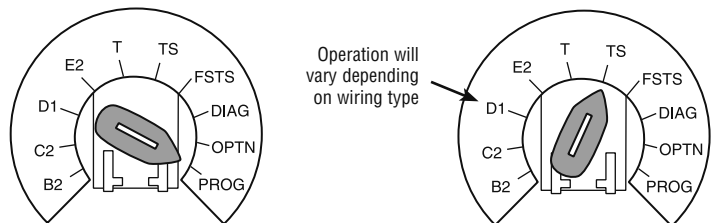
TO PROGRAM MANUALLY (METHOD 1):

1. Close the door.
2. Turn the selector dial to PROG.
3. Press and release the TIMER button on the logic board.
4. Press and release the STOP button to clear the timer.
5. Press and release the OPEN button for every second the operator should wait before attempting to close the door. Press and release the CLOSE button for every 15 seconds the operator should wait before closing the door.

6. Press and release the TIMER button to complete programming. The OPEN/CLOSE button LEDs will flash to confirm the timer setting. The OPEN LED will flash once for every second programmed and the CLOSE LED will flash once for every 15 seconds programmed.
7. Turn the selector dial to desired timer wiring type (TS, T or FSTS).

Example: To close the door after 70 seconds. Turn selector dial to PROG, press and release the TIMER button, press and release the STOP button to clear the timer, press and release the CLOSE button four times for 60 seconds and press and release the OPEN button 10 times for 10 seconds. Press the TIMER button to finish programming the timer. Turn the selector dial to desired timer wiring type (TS, T, or FSTS).

SELECTOR DIAL



PROGRAM TIMER-TO-CLOSE BY EXAMPLE (METHOD 2):

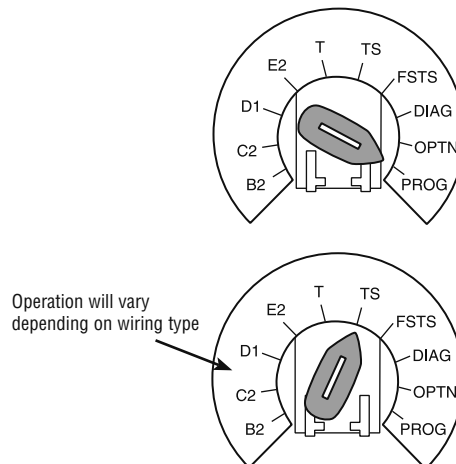
TO PROGRAM:

1. Close the door.
2. Turn the selector dial to PROG.
3. Press and hold TIMER button for 5 seconds until OPEN and OLS flashes then release.
4. Press and release the OPEN button and wait for the door to reach full open or mid stop position.
5. Wait for desired amount of time to pass. (An internal stop watch starts counting when the door stops moving.)
6. Press and release the TIMER button, CLOSE button or STOP button to stop the timer. (TIMER SET LED will turn on.)
7. Turn the selector dial to the desired wiring type (T, TS, FSTS).

NOTE: To read back the Timer-To-Close setting, turn the selector dial to DIAG and press the TIMER button. The OPEN LED will flash once for every second programmed and the CLOSE LED will flash once for every 15 seconds programmed.

In T Mode, timer can be deactivated from the open position by pressing the STOP button. The timer will be reactivated on the next operation command. The STOP button WILL NOT deactivate the timer in the TS mode. To deactivate the timer for more than one cycle in T mode or in TS mode, attach a defeat switch to 11 and 12 (COMMON and TIMER DEFEAT).

SELECTOR DIAL



MANUAL RELEASE

⚠ WARNING

To prevent possible SERIOUS INJURY or DEATH from a falling door or arm:

- DO NOT stand under the door arm when pulling the emergency release.
- If possible, use emergency release handle to disengage trolley ONLY when door is CLOSED. Weak or broken springs or unbalanced door could result in an open door falling rapidly and/or unexpectedly.
- NEVER use emergency release handle unless doorway is clear of persons and obstructions.

EMERGENCY DISCONNECT SYSTEM MODEL GT AND T

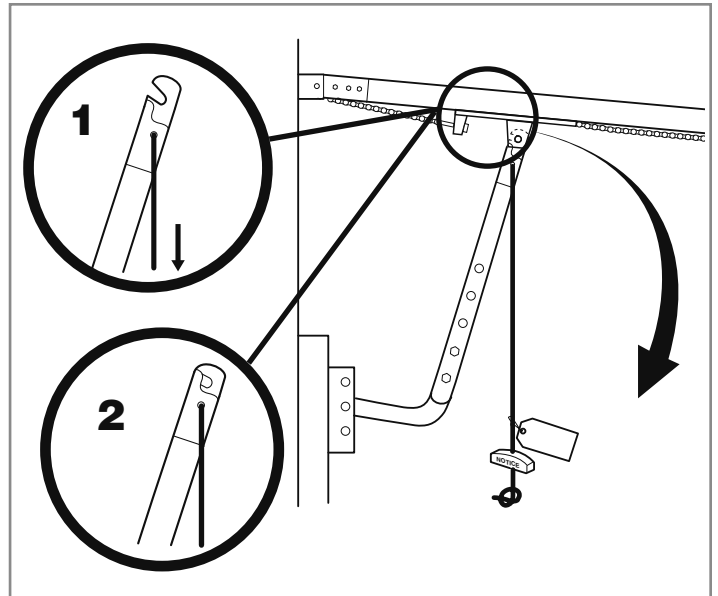
TO DISCONNECT DOOR FROM OPERATOR

The door should be in the fully closed position if possible.

- 1** Pull emergency release handle straight down. Emergency disconnect will open.

TO RECONNECT DOOR ARM TO TROLLEY

- 2** Lift free end of door arm to trolley. Pull emergency release handle to allow arm to engage roll pin. Release handle. Emergency disconnect will close.



EMERGENCY DISCONNECT SYSTEM MODEL APT

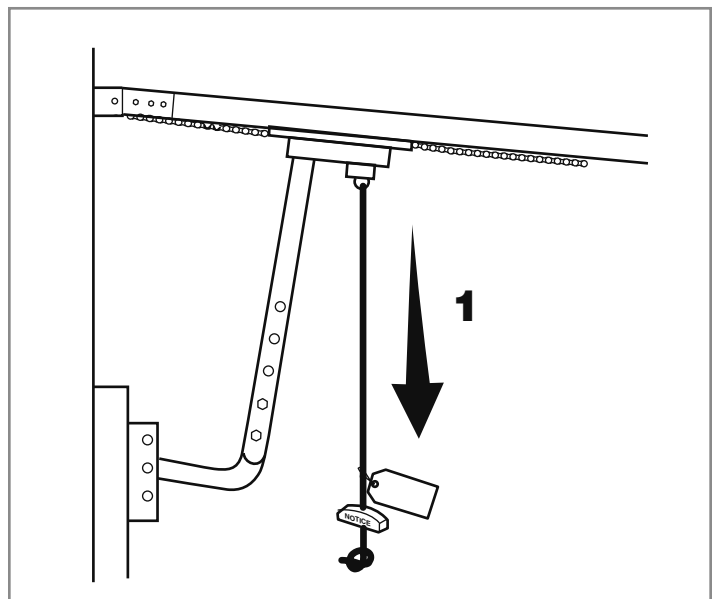
TO DISCONNECT DOOR FROM OPERATOR

The door should be in the fully closed position if possible.

- 1** Pull down on the emergency release handle and raise or lower the door manually.

TO RECONNECT DOOR ARM TO TROLLEY

- 2** The trolley will reconnect on the next UP or DOWN operation, either manually or by using the door control or remote.



MANUAL RELEASE

EMERGENCY DISCONNECT SYSTEM MODEL H, GH, J, AND HJ

This operator has provisions for manually operating the door in case of emergency or power failure. Refer to the appropriate instructions below for your model operator.

MODEL H AND GH

These operators are equipped with a manual hoist. An electrical interlock will disable the electrical controls when the hoist is used. To operate the hoist:

- 1** Pull the disconnect chain (sash chain) to engage the hoist mechanism. The disconnect chain may be locked in position by slipping the end through the keyhole of the chain keeper mounted on the wall.
- 2** Operate the door in the desired direction by pulling on one side or the other of the continuous loop hoist chain.
- 3** The disconnect chain must be released from the chain keeper before the door will operate again electrically.

MODEL J

This operator has a floor level disconnect chain to disconnect the door from the door operator.

- 1** To disengage, pull the disconnect chain (sash chain) and secure in the disengaged position by slipping the end through the keyhole bracket mounted on the wall.
- 2** The door may now be pushed up or pulled down manually.
- 3** Release the disconnect chain to operate the door again electrically.

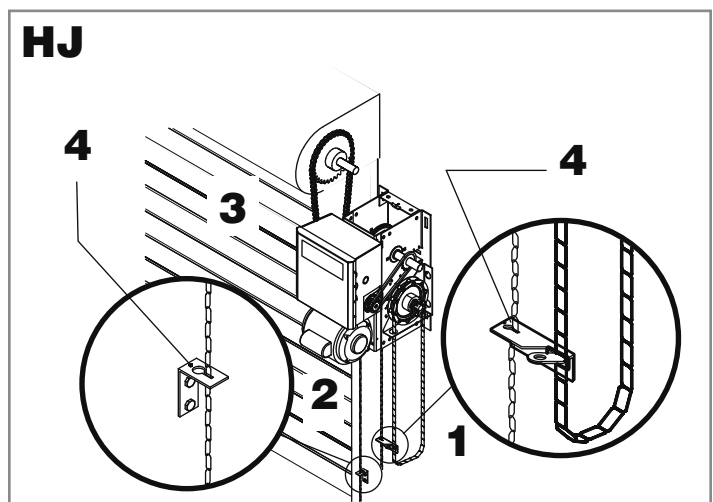
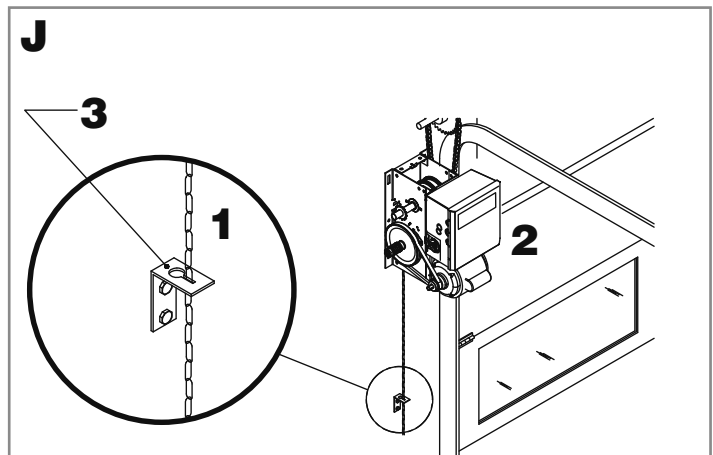
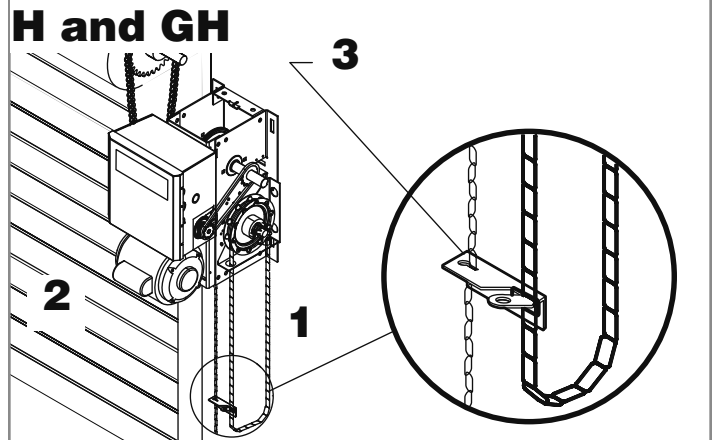
MODEL HJ

This operator includes both a floor level disconnect chain (sash chain) to disconnect the door from the door operator and a disconnect chain with manual hoist to electrically disable the operator controls.

- 1** Pull the disconnect chain to engage the hoist mechanism. The disconnect chain may be locked in position by slipping the end through the keyhole of the chain keeper mounted on the wall.
- 2** To disengage, pull the disconnect chain and secure in the disengaged position by slipping the end through the keyhole bracket mounted on the wall.
- 3** Operate the door in the desired direction by pulling on one side or the other of the continuous loop hoist chain.
- 4** Release the disconnect chain to operate the door again electrically.

CAUTION

- To prevent possible **SERIOUS INJURY** from a moving chain:
- **DISCONNECT** electric power to the operator **BEFORE** manually operating your door.
 - If possible, use emergency disconnect **ONLY** when door is **CLOSED**. Weak or broken springs or unbalanced door could result in an open door falling rapidly and/or unexpectedly.
 - **NEVER** use emergency disconnect unless doorway is clear of persons and obstructions.



TESTING

Apply power to the operator.

When power is applied to the operator, the following LED's will illuminate: STOP, CLOSE, OPEN, LMEP, 24Vac, RADIO, DATA, TIMER ENABLE, OLS MID, SLS, CLS, and MAS. Once the power up process is completed (approximately 2-3 seconds) only the appropriate LED's will continue to be lit:

- Between limits: 24Vac and STOP
- Fully closed position: 24Vac, STOP, CLS and SLS
- Fully opened position: 24Vac, STOP and OLS

Additional LED's will light when device(s) are activated.

NOTE: When the power up process is over, the MAS LED will blink a code indicating the version of firmware. If the selector dial is in the DIAG, OPTN, or PROG position, the MAS will not provide this code. After the code has been provided the MAS LED will go out.

TEST THE PHOTOELECTRIC SENSORS

1. Open the door.
2. Place an obstruction in the path of the photoelectric sensors. The LMEP LED will blink on the logic board.
3. Press and hold the CLOSE button. The door should not close.
4. Remove the obstruction.
5. Press and hold the CLOSE button. Door should close. If the LMEP is activated while closing the door should reverse.

IMPORTANT NOTES:

- Be sure you have read and understand all safety instructions included in this manual.
- Be sure the owner or person(s) responsible for operation of the door have read and understand the safety instructions, know how to electrically operate the door in a safe manner and how to manually disconnect the door from the operator.

WARNING

To avoid SERIOUS personal INJURY or DEATH:

- Disconnect electric power BEFORE performing ANY adjustments or maintenance.
- ALL maintenance MUST be performed by a trained door systems technician.

TEST 3-BUTTON CONTROL STATION

1. Press OPEN button. (The door should move in the open direction.)
2. Press STOP button. (The door should stop.)
3. Press and hold the CLOSE button. (The door should move in the close direction.)
4. Release CLOSE button. Door should stop if in C2 or D1 mode. Door will reverse to full open position in E2 mode. The door should continue closing in all other modes.
5. Press STOP button. (The door should stop.)

TEST LIMIT ADJUSTMENT

1. Press OPEN button. (The door should open.)
2. Allow the door to fully open.
3. Press and hold the CLOSE button. (The door should close.)
4. Allow the door to fully close.
5. If the limits are not set properly, remove power and adjust limits (refer to Limit Adjustment section).

TROUBLESHOOTING

To locate a dealer in your area visit us online at www.liftmaster.com.

| CONDITION | POSSIBLE CAUSE | FIX |
|--|--|--|
| OPERATOR WILL NOT RESPOND TO ANY COMMANDS | No power | ➤ Check circuit breaker. |
| | Accessory failure | ➤ Verify photoelectric sensors are aligned. |
| | Possible component failure | ➤ Contact your installing dealer. |
| OPERATOR MAKES NOISE BUT DOOR DOES NOT MOVE | Operator requires adjustment | ➤ Contact your installing dealer. |
| DOOR DRIFTS AFTER OPERATOR STOPS | Operator or door requires adjustment | ➤ Contact your installing dealer. |
| DOOR OPENS/ CLOSES TOO FAR | Operator requires adjustment | ➤ Contact your installing dealer. |
| DOOR REVERSES UNEXPECTEDLY | Entrapment protection device activated | ➤ Verify photoelectric sensors are aligned. If photoelectric sensors are aligned and operator still does not operate properly, contact your installing dealer. |
| <i>RADIO FUNCTIONALITY</i> | | |
| NO RESPONSE | Remote control is not programmed | ➤ See PROGRAMMING REMOTE CONTROLS section. |
| | Low battery | ➤ Replace battery. |
| REMOTE CANNOT BE PROGRAMMED | Low battery | ➤ Replace battery. |
| POOR RANGE | Low battery in remote | ➤ Replace battery. |
| | Possible radio interference | ➤ Contact your installing dealer. |

MAINTENANCE SCHEDULE

WARNING

To avoid **SERIOUS** personal **INJURY** or **DEATH**:

- Disconnect electric power **BEFORE** performing ANY adjustments or maintenance.

- ALL maintenance **MUST** be performed by a trained door systems technician.

Every 3 months or 5,000 cycles repeat all tests in the Testing section.

Call a trained door systems technician. To locate a dealer in your area visit us online at www.liftmaster.com.

The operator should be serviced at the following intervals:

- Every 3 months or 5,000 cycles
- Every 6 months or 10,000 cycles
- Every 12 months or 20,000 cycles

ACCESSORIES

ENTRAPMENT PROTECTION DEVICES

MONITORED

CPS-U



Dual-Sided Infrared Photo Eyes

- NEMA 1 general purpose enclosure.
- Dual-sided infrared sensors.
- For indoor use.
- Maximum range of 30 feet (9.1 m).

CPS-UN4



Monitored Thru-Beam Photo Eyes

- Heavy-duty housing for industrial applications.
- NEMA 4 enclosure protects against direct spray.
- Dual-sided infrared sensors.
- For indoor/outdoor use.
- Maximum range of 45 feet (13.7 m).

CPS-RPEN4



Monitored Retro-Reflective Photo Eyes

- Polarized reflector for use in applications with highly reflective surfaces.
- NEMA 4X enclosure protects against direct water spray and corrosion.
- Retro-reflective sensor.
- For indoor/outdoor use.
- Maximum range of 50 feet (15 m).

CPS-OPEN4



Monitored Dual-Sided Photo Eyes

- Flexible housings maintain alignment in areas with a high propensity for sensor contact.
- NEMA 4X enclosure protects against direct water spray and corrosion.
- Dual-sided infrared sensors.
- For indoor/outdoor use.
- Maximum range of 45 feet (13.7 m).

Optical Edge System (OES)

OES-SD16



Optical Edge System

16 feet (4.9 m) Sectional 2-Wire Door Edge Kit with infrared optical sensors, rubber door edge and all mounting hardware (channel sold separately).

OES-SD24



Optical Edge System

24 feet (7.3 m) Sectional 2-Wire Door Edge Kit with infrared optical sensors, rubber door edge and all mounting hardware (channel sold separately).

OES-RD16



Optical Edge System

16 feet (4.9 m) Rolling 2-Wire Door Edge Kit with infrared optical sensors, rubber door edge and all mounting hardware (door channel not required).

- Rubber door edge is durable, flexible and easy to install.
- Premium rubber can be cut to length for exact fit.
- NEMA 6 rating protects against moisture and standing water.
- Infrared optical sensors eliminate the need for electrical contacts.
- Maximum range of 33 feet (10 m).
- Sectional and rolling door edges are also available in 50 foot (15 m) bulk rolls, along with individual components for additional savings on large installation jobs.

MONITORED

CPS3CARD



Safety Interface Card

Plug-in Interface card enables use of a second set of monitored photo eyes or edge with a commercial door operator.

CPS-MEI

Edge Interface 2-Wire Monitored

For use with approved 2-wire edges.

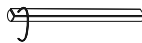
CPS-EI

Edge Interface 4-Wire Monitored

For use with approved 4-wire edges.

NON-MONITORED

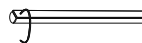
65-8202



Vehicle Detection System:

Pneumatic Sensing Edge Kit with exterior air switch, 2-wire coil cord and 14 foot (4.3 m) air hose.

65-5202



Vehicle Detection System:

Pneumatic Sensing Edge Kit with exterior air switch, 2-wire take-up reel (20 feet [6 m] extended) and 14 foot (4.3 m) air hose.

ACCESSORIES

MyQ® ACCESSORIES

828LM



LiftMaster® Internet Gateway

Enables owners of Commercial Door Operators to open and close their doors and turn on/off lights in or around their facility using a smart phone or tablet computer from anywhere in the world.

829LM



Garage and Gate Monitor

Monitor open/closed status for up to 4 MyQ® compatible commercial door openers or gate operators and close them from anywhere in the home.

825LM



Remote Light Control

Automatically control your lights using your commercial door opener, a Security+ 2.0® remote control or a LiftMaster® Internet Gateway. Plugs into any interior outlet.

REMOTE CONTROLS WITH SECURITY+ 2.0® & CONNECTIVITY

811LM



Encrypted DIP Switch Single-Button Remote Control:

Ideal for commercial door applications requiring a large number of remotes for a common space.

813LM



Encrypted DIP Switch Three-Button Remote Control:

Includes Red, Yellow and Green markings which indicates Open, Close, Stop.

877LM



Wireless Keypad:

Able to be programmed with temporary access codes for visitors or delivery personnel.

RADIO

STAR1000



Commercial Access Control Receiver:

Connects up to 1000 LiftMaster® remote controls. Supports suspending and unsuspending remote controls to withhold and reinstate access.

CONTROL STATIONS

02-101



1-Button Control Station:

Steel enclosure.

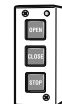
02-102



2-Button Control Station:

Steel enclosure.

02-103L



3-Button Control Station:

Steel enclosure with Maintenance Alert System.

02-110



Key Control Station:

Indoor flush mount, NEMA 1 with Stop button.

02-401



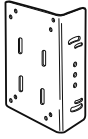
1-Button Indoor Surface Mount Station (NEMA 1)

Provides single button to activate opening one or more commercial doors.

ACCESSORIES

MOUNTING BRACKETS

10-12360



Heavy gauge steel bracket for vertical or horizontal mount on either front or top of coil on a rolling door. Has a variety of mounting hole patterns compatible with many OEM manufacturers. For use with J, H, DJ, and DH operators. May be welded.

08-9098



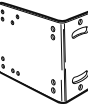
Cast iron bracket to mount J, H, DH, DJ, and GH side mount operators on end bracket of a rolling door or grill. For vertical or horizontal mount on either front or top of coil. Cannot be welded.

08-9098EZ



Same as 08-9098, but with adapter plate to hold mounting bolts in place for easy mounting.

1A4324



Heavy gauge steel bracket for vertical or horizontal mount on either front or top of coil on a rolling door. May be welded. For use with J, H, DJ, and DH operators.

1A4324EZ



Same as 1A4324, but with adapter plate to hold mounting bolts in place for easy mounting.

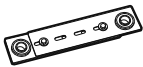
CHAIN TENSIONERS For Jackshaft Type Operators

71-6023

For 1" (2.5 cm) shafts. Recommended to properly tension drive chain between operator shaft and door shaft.

71-6125

Same as 71-6023, but for 1-1/4" (3.2 cm) shafts.



OPTION CARDS

TLS1CARD

Timer Light Status Card:

The TLS option card provides special functionality to activate and flash auxiliary devices such as lights, bells, and horns/strobes at various door positions, and to provide special timer functions.

AUXCARD

Auxiliary Contact Card:

The Auxiliary Contact option card has both Normally-Open and Normally-Closed contacts that actuate when the door is idle, opening, or closing.

ADDITIONAL CONTROL ACCESSORIES

86LM (15' [4.6 m]) 86LMT (25' [7.6 m])



Antenna Extension Kit:

The antenna extension kit can be used with EXT-ANT for maximum radio receiver range.

RGL24LY



Red/Green Traffic Light:

Indicates when a commercial door reaches the open position. Provides assurance of safe entering and exiting of the facility, reducing the potential for costly accidents. (TLS1CARD is recommended)

50-HERK2



Motion Detector 24V

Microwave motion detector with two independently programmable channels.

50450



Switch Sectional Door Interlock

NEMA 4 switch disables operator control circuit when door is locked preventing electrical operation of the door.

Actionneur de porte commerciale Logic 5.0

GUIDE DE L'UTILISATEUR

Security+ 2.0®



Modèles T, APT, H, J, HJ, GH, et GT



CE PRODUIT DOIT ÊTRE INSTALLÉ ET ENTRETENU SEULEMENT PAR UN TECHNICIEN FORMÉ EN SYSTÈMES DE PORTE.

Les ouvre-portes sont expédiés en mode de fonctionnement C2. Rendez visite à www.liftmaster.com pour localiser le revendeur-installateur le plus proche de chez vous.

GARANTIE DE 2 ANS

No de série _____

Date d'installation _____

COORDONNÉES

| | |
|--|--|
| | |
| | |



LiftMaster
300 Windsor Drive
Oak Brook, IL 60523

LiftMaster.com

LiftMaster®

ELITE SERIES®

INTRODUCTION

Félicitations pour votre achat de qualité d'un actionneur de porte commerciale LiftMaster Logic 5.0.

L'actionneur Logic 5.0 vous offre les fonctions utiles et fiables de la version précédente en plus des nouvelles fonctions présentées ci-dessous :

Technologie MyQ®

- Permet la surveillance sécurisée et la commande de l'actionneur par un téléphone intelligent, une tablette ou un ordinateur (nécessite une passerelle Internet LiftMaster).

Security+ 2.0®

- Sécurité accrue – un nouveau code est envoyé à l'actionneur de porte commerciale à chaque clic de manière à garantir que la porte ne s'ouvre que pour la personne ayant appuyé sur une touche de la télécommande.
- La fonction radio améliorée communique sur trois bandes de fréquences pour une plus grande portée et une interférence réduite, de sorte que la porte s'ouvre, interrompt sa course et se ferme chaque fois de manière commode et fiable.

Double tension

- Les actionneurs monophasés fournissent une tension de 115 V et 230 V
- Les actionneurs triphasés fournissent une tension de 208/230 V et 460 V.
- Actionneur 575 V

CYCLES NOMINAUX

SERVICE STANDARD: Modèles T, APT, J, DJ,
Jusqu'à 25 cycles/h aux périodes de pointe. H, DHJ, et SD
Jusqu'à 80 à 90 cycles/jour.

SERVICE SÉVÈRE: Modèles GT, GH, et GSD
25 cycles/h. haute charge continue
dépassant 90 cycles/jour.

PROGRAMMATION

INTRODUCTION À LA PROGRAMMATION

Plusieurs fonctions programmables exigent qu'un dispositif de Protection contre le piégeage LiftMaster (LMEP) soit installé pour fonctionner.

Avant de programmer la carte logique, configurer les fins de course d'ouverture et de fermeture de l'ouvre-porte. Des DEL sont disponibles sur la carte logique pour aider à configurer les fins de course. Chaque fois qu'une fin de course est activée, la DEL correspondante s'allume. Les abréviations sont Interrupteur de fin de course d'ouverture (OLS), Interrupteur de fin de course de fermeture (CLS) et Interrupteur de fin de course de sécurité (SLS).

Lorsque l'alimentation est appliquée à l'ouvre-porte, les DEL suivantes s'allument : STOP (arrêt), CLOSE (fermer), OPEN (ouvrir), LMEP, 24 Vca, RADIO, DATA (données), TIMER ENABLE (permettre minuterie), OLS (inter. fin course ouvert), MID (mi-course), SLS (inter. fin course sécurité), CLS (inter. fin course fermé) et MAS (système d'alerte entretien). Lorsque le processus de démarrage est complété (environ 2 à 3 secondes), seules les DEL appropriées continueront d'être allumées : (p.ex., STOP (arrêt), 24Vcc, DEL de fin de course si celles-ci sont activées).

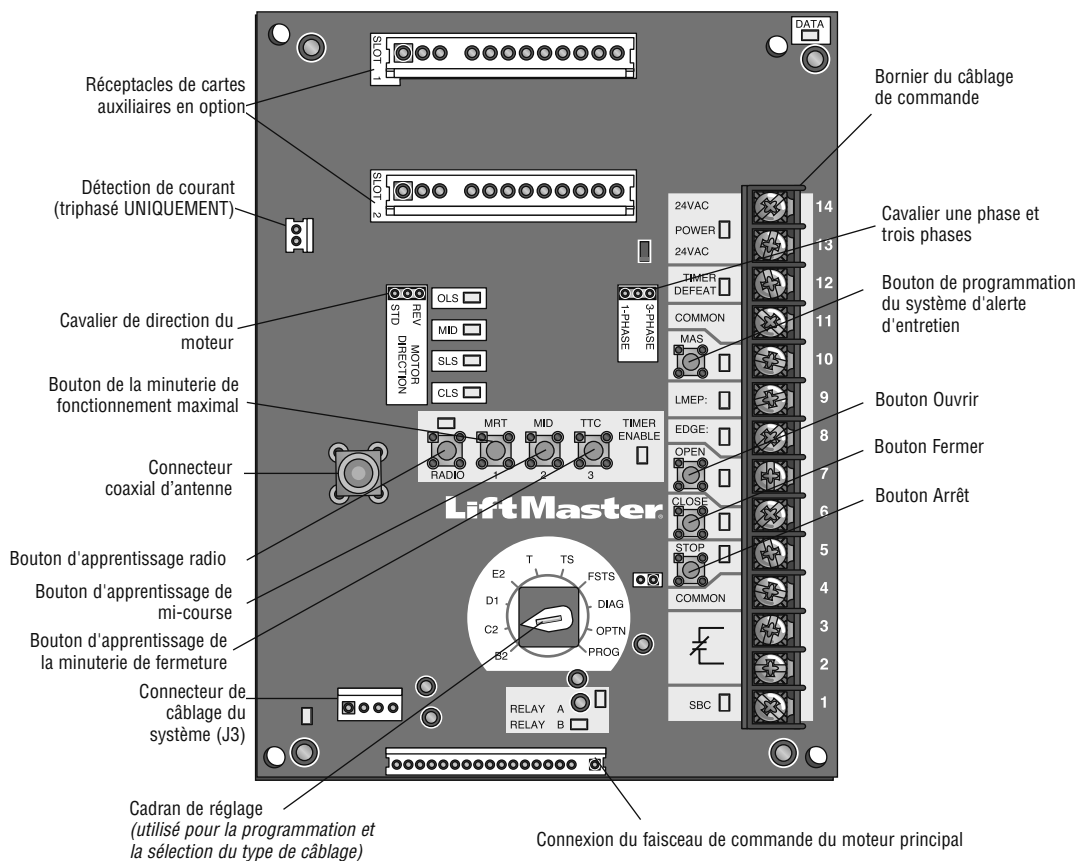
REMARQUE : Lorsque le processus de démarrage est terminé, la DEL MAS clignotera un code indiquant la version du micrologiciel. Si le cadran de réglage est en position DIAG, OPTN, ou PROG, le MAS ne fournira pas ce code. Après que le code ait été fourni, la DEL MAS s'éteindra.

BOUTON-POUSOIRS DE LA CARTE LOGIQUE (OPEN (OUVRIR), CLOSE (FERMER), STOP (ARRÊT))

Les boutons OPEN (ouvrir), CLOSE (fermer), STOP (arrêt) sont montés directement sur la carte logique. Ceci facilite la programmation et permet d'avoir la commande de porte à la boîte électrique.

Une commande d'arrêt ou un câble de liaison DOIT être câblé entre les bornes 4 et 5 pour que les boutons-poussoirs puissent fonctionner.

VUE D'ENSEMBLE DE LA CARTE LOGIQUE



PROGRAMMATION

DÉTERMINATION ET CONFIGURATION DU TYPE DE CÂBLAGE

Lire les descriptions des différents types de câblage pour déterminer quelle configuration sera correcte pour chaque application. Lorsque le type de câblage est déterminé, configurer le cadran de réglage en conséquence.

UN DISPOSITIF DE PROTECTION CONTRE LE PIÉGEAGE AVEC SURVEILLANCE LIFTMASTER (LMEP) EST NÉCESSAIRE

Un dispositif de Protection contre le piégeage LiftMaster (LMEP) est **nécessaire** pour les types de câblage suivants.

- B2** Contact momentané pour ouvrir, fermer et arrêter, plus câblage au dispositif capteur pour inverser et dispositifs auxiliaires pour ouvrir et fermer avec surpassement d'ouverture. Arrêt mi-course programmable disponible avec ce type de câblage. **Compatible avec Station 3 boutons, station 1 bouton et télécommande 3 boutons.**

TS (Minuterie sécurisée)

Ce mode tentera de fermer la porte à partir de toute position exceptée lorsqu'entièrement fermée, ou lorsqu'une entrée de sécurité est présente. Le bouton d'arrêt ne désactive pas la minuterie de fermeture quelle que soit la position. Pour désactiver la minuterie de fermeture dans ce mode, l'installation d'un interrupteur d'échec est nécessaire (voir le schéma de câblage sur le couvercle intérieur de l'actionneur).

Contact momentané pour ouvrir, fermer et arrêter, avec surpassement d'ouverture et minuterie de fermeture. Chaque dispositif qui fait en sorte que la porte s'ouvre, incluant un dispositif d'inversement, active la minuterie de fermeture. Les commandes auxiliaires peuvent être connectées à l'entrée d'ouverture pour activer la minuterie de fermeture. Si la minuterie a été activée, le bouton d'ouverture et la commande radio peuvent recycler la minuterie. La minuterie de fermeture fonctionnera à partir de la mi-course programmable avec ce type de câblage. **Compatible avec Station 3 boutons, station 1 bouton et télécommande 1 et 3 boutons.**

REMARQUE : Un « mode concessionnaire automobile » programmable disponible.

- T** Contact momentané pour ouvrir, fermer et arrêter, avec surpassement d'ouverture et minuterie de fermeture. Chaque dispositif qui fait ouvrir la porte, excepté tout dispositif d'entrée de chant de sécurité, active la minuterie de fermeture. Les commandes auxiliaires peuvent être connectées à l'entrée d'ouverture pour activer la minuterie de fermeture. Si la minuterie de fermeture a été activée, le bouton ouvrir et la commande radio peuvent recycler la minuterie. Le bouton d'arrêt désactivera la minuterie jusqu'à la prochaine entrée de commande. La minuterie de fermeture fonctionnera à partir de la mi-course programmable avec ce type de câblage. **Compatible avec Station 3 boutons, station 1 bouton et télécommande 1 et 3 boutons.**
- REMARQUE :** « Mode concessionnaire automobile » programmable disponible.

FSTS Bouton momentané pour programmation ouvrir, fermer et arrêter. L'utilisateur configure l'arrêt de mi-course. L'utilisateur configure la minuterie de fermeture. La station à 1 bouton ouvre la porte jusqu'à la fin de course entièrement ouvert surpassant la mi-course et active la minuterie de fermeture, mettant l'ouvre-porte en mode TS jusqu'à ce que la porte atteigne la fin de course du bas ou qu'elle soit arrêtée dans sa course. À ce moment, l'ouvre-porte entre en mode B2.

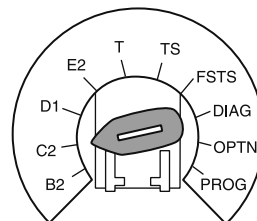
Compatible avec Station 3 boutons, station 1 bouton et télécommande 1 et 3 boutons. Une télécommande 1 bouton en mode FSTS ouvrira seulement avec la minuterie de fermeture, surpassant un arrêt à mi-course programmé. La minuterie de fermeture se réinitialisera et s'inversera lors de la fermeture.

UN DISPOSITIF DE PROTECTION CONTRE LE PIÉGEAGE AVEC SURVEILLANCE LIFTMASTER (LMEP) EST RECOMMANDÉ

Un dispositif de Protection contre le piégeage LiftMaster (LMEP) est recommandé pour les types de câblage suivants.

- C2** Contact momentané pour ouvrir et arrêter, avec pression constante pour fermer, surpassement d'ouverture, plus câblage au dispositif capteur pour inverser. Arrêt mi-course programmable disponible avec ce type de câblage. **Compatible avec Station 3 boutons et station 1 bouton.**
- E2** Contact momentané pour ouvrir surpassement avec surpassement et pression constante pour fermer. Relâcher le bouton de fermeture fera inverser la porte (caractéristique retour en arrière) plus câblage pour dispositif capteur pour inverser. **Compatible avec station 3 boutons.**
- D1** Pression constante pour ouvrir et fermer avec câblage à dispositif capteur pour arrêter. **Compatible avec station 2 ou 3 boutons.**

CADRAN DE RÉGLAGE



REMARQUES IMPORTANTES :

- Des verrouillages externes peuvent être utilisés avec tous les modes fonctionnels.
- Les dispositifs auxiliaires sont tout dispositifs qui ont seulement des contacts secs. Exemples : capteur de boucle, capteurs pneumatiques ou électriques, commandes radio, stations à un bouton, cordons de tirage, etc.
- Surpassement d'ouverture signifie que la porte peut être inversée lors de sa fermeture en activant un dispositif d'ouverture sans avoir à utiliser d'abord le bouton d'arrêt.
- Lorsque la porte est en position d'arrêt sans être toutefois complètement fermée, et qu'un dispositif de protection contre le piégeage ou un capteur d'ARÊTE est activé, le dispositif de Fermeture restreinte (RC) permettra une commande de fermeture lorsque le bouton de fermeture est pressé et tenu. L'ouvre-porte commencera à se fermer après 5 secondes. Si le bouton de fermeture est relâché, la porte s'arrête.
En mode E2, la porte se déplacera jusqu'à la position entièrement ouverte.

PROGRAMMATION

⚠ AVERTISSEMENT

Pour empêcher une BLESSURE GRAVE ou une MORT possible:

- Installer un dispositif de Protection contre le piégeage avec surveillance LiftMaster (LMEP).
- NE JAMAIS permettre aux enfants de faire fonctionner ou de jouer avec les boutons poussoirs de la commande de porte ou avec les télécommandes.
- Activer la porte SEULEMENT lorsqu'elle peut être vue clairement, qu'elle est correctement ajustée et qu'il n'y a aucune obstruction au déplacement de la porte.
- TOUJOURS garder la porte en vue jusqu'à ce qu'elle soit entièrement fermée. NE JAMAIS permettre à quiconque de croiser la trajectoire d'une porte qui se ferme.

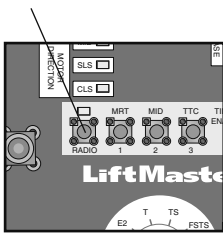
TÉLÉCOMMANDES

Le récepteur radio à 3 canaux Security+ 2.0® vous permet de programmer jusqu'à 90 télécommandes et jusqu'à 30 dispositifs d'entrée dans clé.

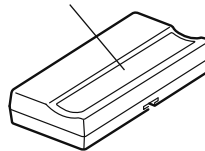
REMARQUE : La programmation suivante nécessite un dispositif de Protection contre le piégeage avec surveillance LiftMaster (LMEP).

TÉLÉCOMMANDE À UN BOUTON

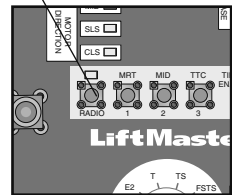
- 1** Appuyer et relâcher le bouton RADIO (la DEL RADIO s'allume).



- 2** Appuyer et tenir le bouton de la télécommande jusqu'à ce que la DEL RADIO clignote rapidement, puis relâcher la bouton de la télécommande. La DEL RADIO demeurera allumée lorsque le bouton sera relâché. Répéter pour ajouter des télécommandes additionnelles.



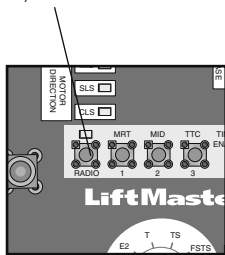
- 3** Appuyer et relâcher le bouton RADIO pour compléter la programmation. Le mode de programmation est quitté si aucune activité n'est effectuée durant 30 secondes.



TÉLÉCOMMANDE À 3 BOUTONS POUR FONCTIONNER COMME UNE STATION DE CONTRÔLE SANS FIL À 3 BOUTONS

REMARQUE : Cette caractéristique utilisera 3 des 90 canaux de mémoire du système de fermeture.

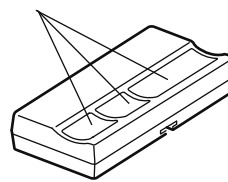
- 1** Appuyer et relâcher le bouton RADIO sur la carte logique (la DEL RADIO s'allume).



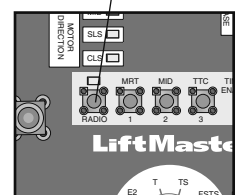
- 2** Enfoncez et relâchez le bouton désiré sur le tableau logique. (OPEN, CLOSE ou STOP). La DEL Radio clignote puis demeure allumée.



- 3** Tenir enfoncé le bouton désiré de la télécommande jusqu'à ce que la DEL radio clignote rapidement, puis relâcher le bouton.



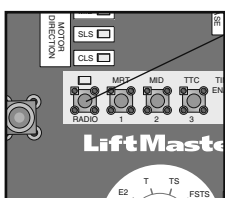
- 4** Appuyer et relâcher le bouton RADIO pour compléter la programmation. Le mode de programmation est quitté si aucune activité n'est effectuée durant 30 secondes.



Répétez les étapes 1 à 4 pour programmer des boutons supplémentaires.

POUR EFFACER TOUTES LES TÉLÉCOMMANDES

- 1** Appuyer et tenir le bouton RADIO sur la carte logique jusqu'à ce que la DEL RADIO clignote rapidement (environ 5 secondes). Toutes les télécommandes seront effacées.



AVIS : Pour ce conformer aux règlements de la FCC ou d'Industrie Canada (IC), l'ajustement ou les modifications à ce récepteur et/ou à ce transmetteur sont prohibées. IL N'Y A PAS D'AUTRES PIÈCES POUVANT ÊTRE RÉPARÉES PAR L'UTILISATEUR. Tout changement ou toute modification non expressément approuvé par la partie responsable de la conformité peut avoir pour résultat d'annuler l'autorité de l'utilisateur de faire fonctionner l'équipement. Cet appareil est conforme aux dispositions de la partie 15 du règlement de la FCC et de l'norme IC RSS-210. Le fonctionnement est sujet aux deux conditions suivantes : (1) ce dispositif ne peut pas causer d'interférences nuisibles, et (2) ce dispositif doit accepter toute interférence reçue, incluant les interférences qui pourrait causer un fonctionnement non désiré. Cet appareil numérique de la classe B est conforme à la norme NMB-003 du Canada. L'appareil doit être installé d'une façon où un minimum de 8 pouces (20 cm) est maintenu entre l'utilisateur/le passant et l'appareil lui-même.

PROGRAMMATION

CONFIGURATION MYQ® (EN OPTION)

La passerelle Internet LiftMaster MyQ est exigée (modèle 828LM) pour l'application pour téléphone intelligent, commande par tablette ou ordinateur.

1. Pour accéder au mode de programmation, appuyez sur le bouton RADIO de la carte logique (le bouton DEL RADIO clignotera).
2. Pour programmer le dispositif MyQ, placez-le en mode de programmation (consultez les instructions relatives au dispositif MyQ en question).
3. Lorsque la programmation est terminée, le bouton DEL RADIO s'éteindra.

REMARQUE : *Si la programmation n'est pas terminée à l'intérieur d'un délai de 3 minutes, le mode de programmation sera désactivé et le bouton DEL RADIO s'éteindra.*

POUR SUPPRIMER TOUS LES DISPOSITIFS MYQ :

1. Pressez et relâchez sur le bouton RADIO de la carte logique (le voyant lumineux DEL RADIO clignotera).
2. Pressez et maintenez enfoncé le bouton MAS pendant 5 secondes. Le bouton DEL RADIO clignotera pendant approximativement 5 secondes, puis s'éteindra.

Tous les dispositifs MyQ sont maintenant supprimés.

Aller à LiftMaster.com/MyQ-CDO pour l'information de dépannage.

PROGRAMMATION

AVERTISSEMENT

Pour empêcher une BLESSURE GRAVE ou une MORT possible:

- Installer un dispositif de Protection contre le piégeage avec surveillance LiftMaster (LMEP).
- NE JAMAIS permettre aux enfants de faire fonctionner ou de jouer avec les boutons poussoirs de la commande de porte ou avec les télécommandes.

- Activer la porte SEULEMENT lorsqu'elle peut être vue clairement, qu'elle est correctement ajustée et qu'il n'y a aucune obstruction au déplacement de la porte.
- TOUJOURS garder la porte en vue jusqu'à ce qu'elle soit entièrement fermée. NE JAMAIS permettre à quelqu'un de se trouver dans la trajectoire de la porte qui se ferme.

MINUTERIE DE FERMETURE

Caractéristique : La minuterie enclenche automatiquement la fermeture de la porte une fois la durée d'ouverture préprogrammée expirée. Tous les dispositifs de protection contre le piégeage doivent être dégagés.

Avantage : La porte se ferme automatiquement après un temps prédéterminé. Parfait pour les immeubles d'habitation, les postes de pompiers et autres applications où l'utilisateur désire que la porte se ferme automatiquement après une durée spécifiée.

Exigences : Au moins un dispositif de Protection contre le piégeage avec surveillance LiftMaster (LMEP) doit être installé. Le type de câblage doit être configuré à TS, T ou FSTS.

POUR PROGRAMMER MANUELLEMENT (MÉTHODE 1):

1. Fermer la porte.
2. Tourner le cadran de réglage à PROG.
3. Appuyer et relâcher le bouton TIMER (minuterie) sur la carte logique.
4. Appuyer et relâcher le bouton STOP (arrêt) pour vider la minuterie.
5. Appuyer et relâcher le bouton OPEN (ouvrir) pour chaque seconde pendant laquelle l'ouvre-porte devrait attendre avant de tenter de fermer la porte. Appuyer et relâcher le bouton CLOSE (fermer) pour chaque 15 secondes pendant lesquelles l'ouvre-porte devrait attendre avant de fermer la porte.

PROGRAMMATION DE LA MINUTERIE DE FERMETURE PAR EXEMPLE (MÉTHODE 2) :

POUR PROGRAMMER :

1. Fermer la porte.
2. Tourner le cadran de réglage à PROG.
3. Appuyer et tenir le bouton TIMER (minuterie) durant 5 secondes jusqu'à ce que OPEN (ouvrir) et OLS clignotent puis relâcher.
4. Appuyer et relâcher le bouton OPEN (ouvrir) puis attendre que la porte atteigne la position entièrement ouverte ou mi-course.
5. Attendre que le temps désiré s'écoule. (Un chronomètre interne commence à compter lorsque la porte cesse de bouger.)
6. Appuyer et relâcher le bouton TIMER (minuterie), le bouton CLOSE (fermer) ou le bouton STOP (arrêt) pour arrêter la minuterie. (la DEL TIMER SET (réglage de minuterie) s'allume.)
7. Ramener le cadran de réglage au type de câblage désiré (T, TS ou FSTS).

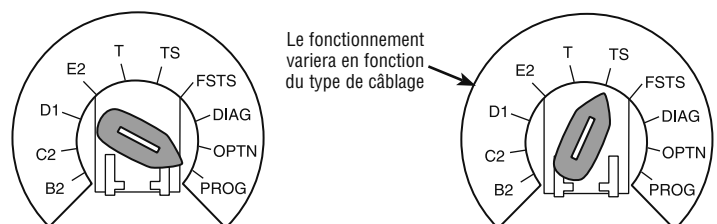
REMARQUE : Pour relire le réglage de minuterie de fermeture, ramener le cadran de réglage à DIAG et appuyer sur le bouton TIMER (minuterie). La DEL OPEN (ouvrir) clignote une fois pour chaque seconde programmée et la DEL CLOSE (fermer) clignote une fois pour chaque 15 secondes programmées.

En mode T, la minuterie peut être désactivée de la position ouverte en appuyant sur le bouton STOP (arrêt). La minuterie sera réactivée lors de la prochaine commande de fonctionnement. Le bouton STOP (arrêt) NE désactivera PAS la minuterie en mode TS. Pour désactiver la minuterie durant plus d'un cycle en mode T ou en mode TS, fixer un interrupteur d'échec à 11 et 12 (COMMON (commun) et TIMER DEFEAT (échec de minuterie).

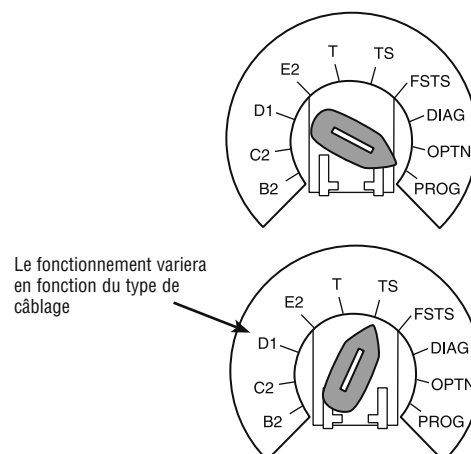
6. Appuyer et relâcher le bouton TIMER (minuterie) pour compléter la programmation. Les DEL OPEN (ouvrir)/CLOSE (fermer) clignotent pour confirmer la configuration de la minuterie. La DEL OPEN (ouvrir) clignote une fois pour chaque seconde programmée et la DEL CLOSE (fermer) clignote une fois pour chaque 15 secondes programmées.
7. Ramener le cadran de réglage au type de câblage désiré pour la minuterie (TS, T ou FSTS).

Exemple : Pour fermer la porte après 70 secondes. Tourner le cadran de réglage à PROG, appuyer et relâcher le bouton TIMER (minuterie), appuyer et relâcher le bouton STOP (arrêt) pour vider la minuterie, appuyer et relâcher le bouton CLOSE (fermer) quatre fois pour 60 secondes et appuyer et relâcher le bouton OPEN (ouvrir) 10 fois pour 10 secondes. Appuyer sur le bouton TIMER (minuterie) pour terminer la programmation de la minuterie. Ramener le cadran de réglage au type de câblage désiré pour la minuterie. (TS, T, FSTS).

CADRAN DE RÉGLAGE



CADRAN DE RÉGLAGE



DÉGAGEMENT MANUEL

⚠ AVERTISSEMENT

Pour empêcher une BLESSURE GRAVE ou une MORT possible à cause d'une porte ou d'un bras qui tombe:

- NE PAS se tenir debout sous le bras de porte lorsqu'on tire le dégagement d'urgence.
- Si possible, utiliser la poignée de dégagement d'urgence pour désengager le chariot SEULEMENT lorsque la porte est FERMÉE. Des ressorts fiables ou brisés ou une porte non balancée pourraient faire en sorte qu'une porte ouverte tombe rapidement ou subitement.

- NE JAMAIS utiliser la poignée de dégagement manuelle à moins que l'embrasure de la porte soit libre de toute personne ou obstruction.

SYSTÈME DE DÉCONNEXION D'URGENCE MODÈLES GT ET T

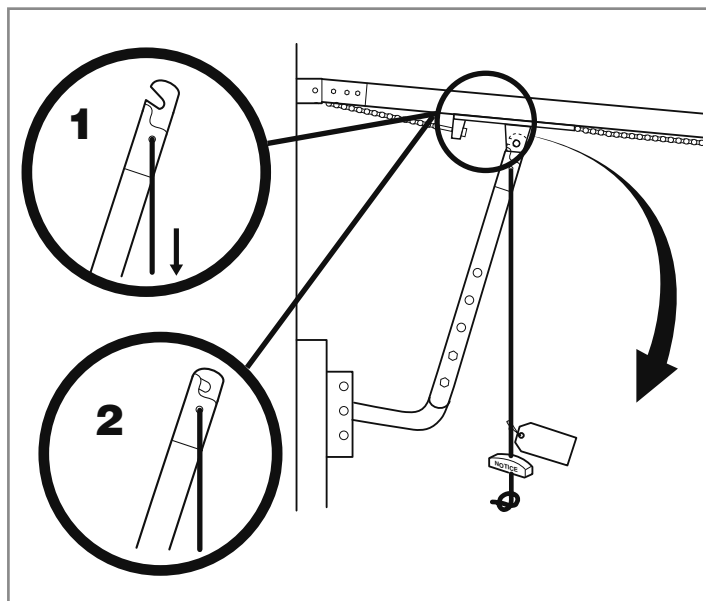
POUR DÉCONNECTER LA PORTE DE L'OUVRE-PORTE

La porte devrait être en position entièrement fermée si possible.

- 1** Tirer la poignée de dégagement d'urgence droit vers le bas. La déconnexion d'urgence s'ouvre.

POUR RECONNECTER LE BRAS DE PORTE AU CHARIOT

- 2** Lever le bout libre du bras de porte vers le chariot. Tirer la poignée de dégagement d'urgence pour permettre au bras d'engager la goupille cylindrique. Relâcher la poignée. La déconnexion d'urgence se ferme.



SYSTÈME DE DÉCONNEXION D'URGENCE MODÈLE APT

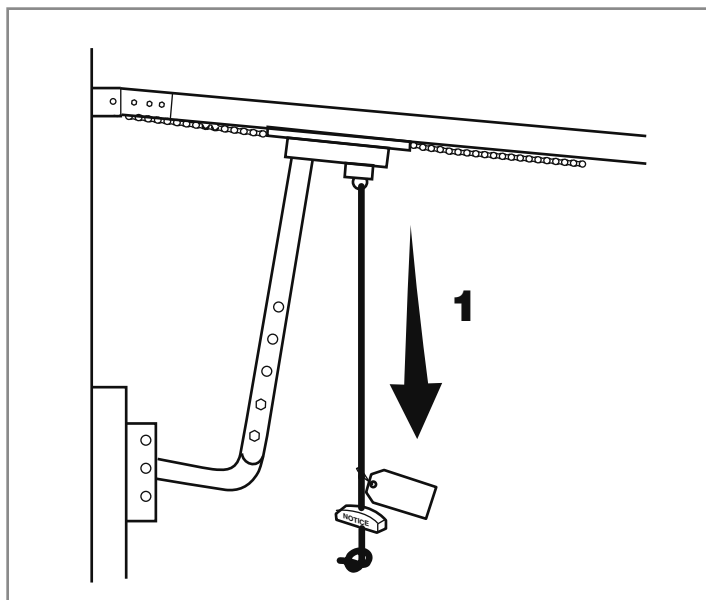
POUR DÉCONNECTER LA PORTE DE L'OUVRE-PORTE

La porte devrait être en position entièrement fermée si possible.

- 1** Tirer la poignée de dégagement d'urgence et lever ou baisser la porte manuellement.

POUR RECONNECTER LE BRAS DE PORTE AU CHARIOT

- 2** Le chariot se reconnectera lors de la prochaine opération UP ou DOWN, soit manuellement ou en utilisant la commande de porte ou la télécommande.



DÉGAGEMENT MANUEL

SYSTÈME DE DÉCONNEXION EN CAS D'URGENCE MODÈLES H, GH, J ET HJ

Cet ouvre-porte permet de faire fonctionner la porte manuellement en cas d'urgence ou de panne d'électricité. Se référer aux instructions appropriées ci-dessous pour votre modèle d'ouvre-porte.

MODÈLES H ET GH

Ces ouvre-portes sont munis d'un palan manuel. Un verrouillage électrique désactive les commandes électriques lorsque le palan est utilisé. Pour utiliser le palan:

- 1** Tirer la chaîne de déconnexion pour engager le mécanisme de palan. La chaîne de déconnexion peut être verrouillée en position en glissant le bout à travers le trou du garde-chaîne monté au mur.
- 2** Faire fonctionner la porte dans la direction désirée en tirant un côté ou l'autre de la chaîne de palan à boucle continue.
- 3** La chaîne de déconnexion doit être dégager du garde-chaîne avant que la porte puisse fonctionner de nouveau de façon électrique.

MODÈLE J

Cet ouvre-porte dispose d'une chaîne de déconnexion au niveau du plancher pour déconnecter la porte de l'ouvre-porte.

- 1** Pour désengager, tirer la chaîne de déconnexion (chaîne à châssis) et fixer en position désengagée en glissant le bout à travers le support à trou monté au mur.
- 2** La porte peut maintenant être poussée vers le haut ou le bas manuellement.
- 3** Relâcher la chaîne de déconnexion pour faire fonctionner de nouveau la porte de façon électrique.

MODÈLE HJ

Cet ouvre-porte comprend une chaîne de déconnexion au niveau du plancher (chaîne à châssis) pour déconnecter la porte de l'ouvre-porte et une chaîne de déconnexion avec un palan manuel pour désactiver électriquement les commandes de l'ouvre-porte.

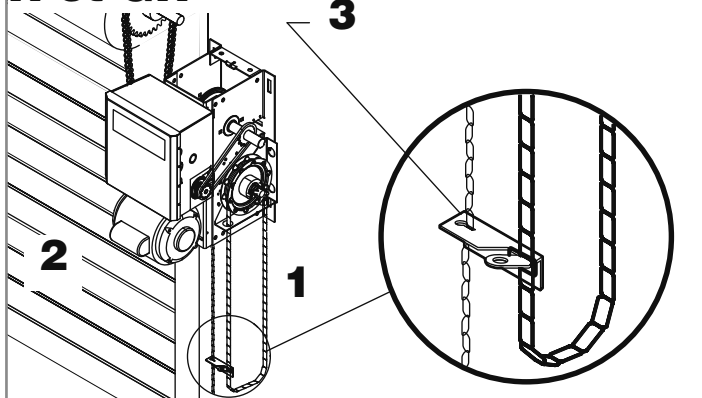
- 1** Tirer la chaîne de déconnexion pour engager le mécanisme de palan. La chaîne de déconnexion peut être verrouillée en position en glissant le bout à travers le trou du garde-chaîne monté au mur.
- 2** Pour désengager, tirer la chaîne de déconnexion et fixer en position désengagée en glissant le bout à travers le support à trou monté au mur.
- 3** Faire fonctionner la porte dans la direction désirée en tirant un côté ou l'autre de la chaîne de palan à boucle continue.
- 4** Relâcher la chaîne de déconnexion pour faire fonctionner de nouveau la porte de façon électrique.

PRECAUCIÓN

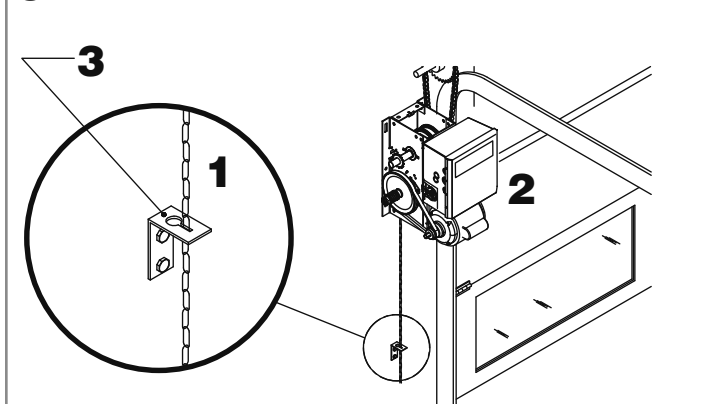
Pour empêcher une BLESSURE GRAVE possible causée par une chaîne en mouvement:

- DÉCONNECTER l'alimentation électrique à l'ouvre-porte AVANT de faire fonctionner votre porte manuellement.
- Si possible, utiliser la poignée la déconnexion d'urgence SEULEMENT lorsque la porte est FERMÉE. Des ressorts fiables ou brisés ou une porte non balancée pourraient faire en sorte qu'une porte ouverte tombe rapidement ou subitement.
- NE JAMAIS utiliser la déconnexion d'urgence à moins que l'embrasure de la porte soit libre de toute personne ou obstruction.

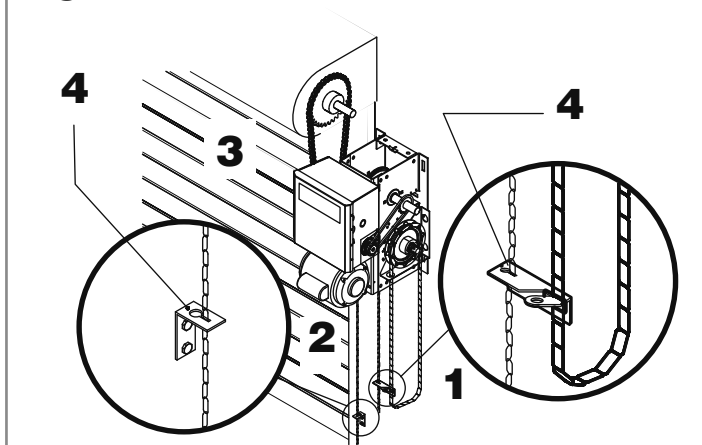
H et GH



J



HJ



Appliquer l'alimentation à l'ouvre-porte.

Lorsque l'alimentation est appliquée à l'ouvre-porte, les DEL suivantes s'allument: STOP (arrêt), CLOSE (fermer), OPEN (ouvrir), LMEP, 24 Vca, RADIO, DATA (données), TIMER ENABLE (permettre minuterie), OLS (inter. fin course ouvert), MID (mi-course), SLS (inter. fin course sécurité), CLS (inter. fin course fermé) et MAS (système d'alerte entretien). Lorsque le processus de démarrage est complété (environ 2 à 3 secondes), seules les DEL appropriées continueront d'être allumées:

- Entre les fins de course: 24 Vca et STOP (arrêt)
- En position entièrement fermée: 24 Vca, STOP (arrêt), Interrupteur de fin de course de fermeture (CLS) et Interrupteur de fin de course de sécurité (SLS).
- En position entièrement ouverte: 24 Vca, STOP (arrêt) et Interrupteur de fin de course d'ouverture (OLS)

Des DEL supplémentaires s'allumeront lorsqu'un ou plusieurs dispositifs sont activés.

REMARQUE : Lorsque le processus de démarrage est terminé, la DEL MAS clignotera un code indiquant la version du micrologiciel. Si le cadran de réglage est en position DIAG, OPTN, ou PROG, le MAS ne fournira pas ce code. Après que le code ait été fourni, la DEL MAS s'éteindra.

TEST DES CAPTEURS PHOTOÉLECTRIQUES

1. Ouvrir la porte.
2. Placer une obstruction dans le chemin des capteurs photoélectriques.
Le voyant lumineux DEL du dispositif de protection contre le piégeage clignotera sur la carte logique.
3. Appuyer et tenir le bouton CLOSE (fermer). La porte ne devrait pas se fermer.
4. Retirer l'obstruction.
5. Appuyer et tenir le bouton CLOSE (fermer). La porte devrait se fermer.
Si le dispositif de protection contre le piégeage est activé pendant la fermeture de la porte, celle-ci devrait se mettre en marche arrière.

REMARQUES IMPORTANTES :

- Assurez-vous de lire et de comprendre toutes les instructions de sécurité comprises dans ce manuel.
- Assurez-vous que le propriétaire ou la(les) personne(s) responsable(s) du fonctionnement de la porte aient lu et comprennent les instructions de sécurité, qu'ils sachent comment faire fonctionner électriquement la porte d'une manière sécuritaire et qu'ils sachent comment déconnecter manuellement la porte de l'ouvre-porte.



AVERTISSEMENT

Pour éviter des BLESSURES personnelles SÉRIEUSES ou la MORT:

- Déconnecter l'alimentation électrique AVANT d'effectuer TOUT ajustement ou entretien.
- TOUT entretien DOIT être effectué par un technicien formé en systèmes de porte.

TEST DE LA STATION DE COMMANDE À 3 BOUTONS

1. Appuyer sur le bouton OPEN (ouvrir). (La porte devrait se déplacer dans la direction d'ouverture.)
2. Appuyer sur le bouton STOP (arrêter). (La porte devrait s'arrêter.)
3. Appuyer et tenir le bouton CLOSE (fermer). (La porte devrait se déplacer dans la direction de fermeture.)
4. Relâcher le bouton CLOSE (fermer) La porte devrait s'arrêter si elle est en mode C2 ou D1. La porte s'inversera en position entièrement ouverte si en mode E2. La porte devrait continuer à se fermer dans tous les autres modes.
5. Appuyer sur le bouton STOP (arrêter). (La porte devrait s'arrêter.)

TEST DU RÉGLAGE DE FIN DE COURSE

1. Appuyer sur le bouton OPEN (ouvrir) (La porte devrait s'ouvrir.)
2. Permet à la porte d'ouvrir entièrement.
3. Appuyer et tenir le bouton CLOSE (fermer). (La porte devrait se fermer.)
4. Permet à la porte de se fermer entièrement.
5. Si les fins de course ne sont pas configurées correctement, supprimer l'alimentation et ajuster les fins de course (se référer à la section de réglage de fin de course.)

DÉPANNAGE

Pour trouver un distributeur dans votre région, consulter notre site Web à www.liftmaster.com.

| CONDITION | CAUSE POSSIBLE | CORRECTION |
|--|--|---|
| LE DISPOSITIF DE FERMETURE NE RÉPONDRA À AUCUNE COMMANDE | Pas d'alimentation | ➤ Vérifier le disjoncteur. |
| | Panne d'un accessoire | ➤ Vérifier que les capteurs photoélectriques sont alignés. |
| | Panne possible d'un composant | ➤ Contacter le distributeur ayant installé le dispositif. |
| LE DISPOSITIF DE FERMETURE FAIT DU BRUIT MAIS LA PORTE NE BOUGE PAS | Le dispositif d'ouverture exige un réglage. | ➤ Contacter le distributeur ayant installé le dispositif. |
| LA PORTE SE DÉPLACE APRÈS L'ARRÊT DU DISPOSITIF DE FERMETURE | Le dispositif ou la porte exige un réglage. | ➤ Contacter le distributeur ayant installé le dispositif. |
| LA PORTE S'OUVRE/ SE FERME TROP LOIN | Le dispositif d'ouverture exige un réglage. | ➤ Contacter le distributeur ayant installé le dispositif. |
| LA PORTE INVERSE SA COURSE SANS RAISON APPARENTE | Dispositif de protection contre l'emprisonnement activé. | ➤ Vérifier que les capteurs photoélectriques sont alignés. Si ces derniers sont alignés et que le dispositif d'ouverture ne fonctionne toujours pas correctement, contacter le distributeur qui a installé le dispositif. |
| <i>FONCTIONNALITÉ RADIO</i> | | |
| PAS DE RÉPONSE | La télécommande n'est pas programmée | ➤ Reportez-vous à la section PROGRAMMATION DES TÉLÉCOMMANDES. |
| | Piles faible | ➤ Remplacez la pile. |
| LA TÉLÉCOMMANDE NE PEUT PAS ÊTRE PROGRAMMÉE | Piles faible | ➤ Remplacez la pile. |
| FAIBLE PORTÉE | Piles faibles dans la télécommande | ➤ Remplacez la pile. |
| | Interférence radio possible | ➤ Contacter le distributeur ayant installé le dispositif. |

PÉRIODICITÉS D'ENTRETIEN

AVERTISSEMENT

Pour éviter des BLESSURES personnelles SÉRIEUSES ou la MORT:

- Déconnecter l'alimentation électrique AVANT d'effectuer TOUT ajustement ou entretien.

- TOUT entretien DOIT être effectué par un technicien formé en systèmes de porte.

Répéter tous les tests indiqués sous la rubrique Test tous les trois mois ou 5000 cycles.

Appeler un technicien formé aux systèmes d'ouverture de porte. Pour trouver un distributeur dans votre région, consulter notre site Web à www.liftmaster.com.

Le dispositif doit faire l'objet d'un entretien aux intervalles suivants:

- Chaque 3 mois ou 5,000 cycles
- Chaque 6 mois ou 10,000 cycles
- Chaque 12 mois ou 20,000 cycles

ACCESSOIRES

DISPOSITIF DE PROTECTION CONTRE LE PIÉGEAGE

SURVEILLÉ

CPS-U



Cellules photoélectriques infrarouges à deux côtés

- Boîtier NEMA 1 tout usage
- Cellules photoélectriques infrarouges à deux côtés
- Pour utilisation intérieure
- Portée maximale de 9,1 m (30 pi)

CPS-UN4



Cellules photoélectriques surveillées de type barrage

- Boîtier ultra robuste pour applications industrielles
- Boîtier NEMA 4 pour une protection contre la pulvérisation d'eau directe
- Capteurs infrarouges à deux côtés.
- Pour l'intérieur et l'extérieur
- Portée maximale de 13,7 m (45 pi).

CPS-RPEN4



Cellules photoélectriques rétro-réfléchissantes surveillées

- Faisceau polarisé convenant aux surfaces très réfléchissantes
- Le boîtier NEMA 4X assure une protection contre la pulvérisation d'eau directe et la corrosion
- Capteur rétro-réfléchissant
- Pour l'intérieur et l'extérieur.
- Portée maximale de 15 m (50 pi).

CPS-OPEN4



Cellules photoélectriques infrarouges à deux côtés

- Boîtiers flexibles maintenant l'alignement dans les zones où le capteur risque fortement d'être heurté
- Le boîtier NEMA 4X assure une protection contre la pulvérisation d'eau directe et la corrosion.
- Capteurs infrarouges à deux côtés.
- Pour l'intérieur et l'extérieur.
- Portée maximale de 13,7 m (45 pi).

Système de chant de porte optique (OES)

OES-SD16



Système de chant de porte optique

Ensemble de chant de porte de 4,9 m (16 pi) à 2 fils pour porte articulée, avec capteurs optiques infrarouges, bordure de chant de porte en caoutchouc et quincaillerie de montage (rail vendu séparément).

OES-SD24



Système de bordure à capteurs optiques

Ensemble de bordure de 7,3 m (24 pi) à 2 fils pour porte articulée, avec capteurs optiques infrarouges, bordure de chant de porte en caoutchouc et quincaillerie de montage (sauf rail de porte).

OES-RD16



Système de chant optique

Ensemble de chant de porte de 4,9 m (16 pi) à 2 fils pour porte déroulante, avec capteurs optiques infrarouges, bordure de chant de porte en caoutchouc et quincaillerie de montage (rail de porte non requis).

- La bordure de chant de porte en caoutchouc est durable, souple et facile à installer.
- Le caoutchouc de première qualité peut être coupé à la longueur précise pour un ajustement parfait.
- Le boîtier NEMA 6 protège contre l'humidité et l'eau stagnante.
- Les capteurs optiques infrarouges éliminent les contacts électriques.
- Portée maximale de 10 m (33 pi).
- Les bordures pour portes articulées ou déroulantes sont aussi offertes en rouleaux de 15 m (50 pi), avec des composants individuels pour réaliser d'autres économies lors de grands travaux d'installation.

SURVEILLÉ

CPS3CARD



Carte d'interface de sécurité

La carte d'interface enfichable permet d'utiliser un deuxième jeu de cellules photoélectriques ou de chant surveillés avec un actionneur de porte commerciale.

CPS-MEI

Interface de chant de porte à 2 fils surveillé

Pour utilisation avec les bordures de chant de porte à deux fils approuvées

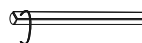
CPS-EI

Interface de chant de porte à 4 fils surveillé

Pour utilisation avec les bordures de chant de porte à deux fils approuvées

NON-SURVEILLÉ

65-8202



Système de détection de véhicule :

Ensemble de capteur de chant pneumatique avec interrupteur d'air extérieur, cordon enroulé à 2 fils et tuyau d'air de 4,3 m (14 pi).

65-5202



Système de détection de véhicule :

Ensemble de capteur de chant pneumatique avec interrupteur d'air extérieur, bobine réceptrice à 2 fils (6 m [20 pi] étendu) et tuyau d'air de 4,3 m (14 pi).

ACCESSOIRES

ACCESSOIRES DE MyQ®

828LM



Passerelle Internet LiftMaster®

Permet aux propriétaires d'actionneurs d'ouvre-portes de garage d'application commerciale d'ouvrir et de fermer leurs portes de garage ainsi que d'allumer ou d'éteindre les lumières dans et autour de leurs installations au moyen d'un téléphone intelligent ou d'un ordinateur, et ce, de n'importe où dans le monde.

829LM



Moniteur de porte de garage et de barrière

Surveille l'état de marche-arrêt de quatre ouvre-portes de garage ou actionneurs de barrière compatibles avec MyQ® et permet de les fermer à partir de n'importe quelle pièce dans la maison.

825LM



Télécommande d'éclairage

Permet de commander automatiquement votre éclairage à l'aide de l'ouvre-porte de garage, d'une télécommande Security+ 2.0® ou d'une passerelle Internet LiftMaster®. Se branche dans n'importe quelle prise de courant intérieure.

TÉLÉCOMMANDES AVEC SECURITY+ 2.0® ET CONNECTIVITÉ

811LM



Télécommande à un seul bouton avec commutateur DIP encodé :

Idéal pour des portes de garage d'application commerciale pour lesquelles un grand nombre de télécommandes à l'intérieur d'un espace partagé est requis.

813LM



Télécommande à trois boutons avec commutateur DIP encodé :

Inclut des indicateurs rouges, jaunes et verts pour les fonctions d'ouverture, de fermeture et d'arrêt.

877LM



Clavier sans fil :

Peut être programmé avec des codes d'accès temporaires pour les visiteurs ou les employés chargés de la livraison.

RADIO

STAR1000



Récepteur de commande d'accès d'application commerciale :

Programme jusqu'à 1 000 télécommandes LiftMaster®. Prend en charge les télécommandes qui permettent ou non la mise en veille afin d'interdire ou de rétablir l'accès.

STATIONS DE COMMANDE

02-101



Station de commande à 1 bouton :

Boîtier en acier.

02-102



Station de commande à 2 boutons :

Boîtier en acier.

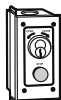
02-103L



Station de commande à 3 boutons :

Boîtier en acier avec Système d'alerte d'entretien.

02-110



Station de commande à clé :

Montage encastré intérieur NEMA 1 avec bouton STOP (arrêt).

02-401



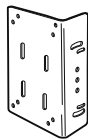
Poste à un bouton à monter sur une surface intérieure (NEMA-1)

Présente un seul bouton pour activer l'ouverture d'une ou de plusieurs portes commerciales.

ACCESSOIRES

SUPPORTS DE MONTAGE

10-12360



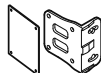
Support d'acier de forte épaisseur pour montage vertical ou horizontal sur le devant ou le haut du rouleau d'une porte roulante. Comporte une variété d'arrangements de trous de montage compatibles avec plusieurs fabricants d'équipement. Pour utilisation avec les ouvre-portes J, H, DJ et DH. Peut être soudé.

08-9098



Support en fonte pour monter les ouvre-portes à montage latéral J, H, DH, DJ et GH sur un support de bout d'une porte ou grille roulante. Pour montage vertical ou horizontal à l'avant ou en haut du rouleau. Ne peut pas être soudé.

08-9098EZ



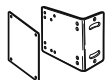
Comme 08-9098, mais avec une plaque adaptatrice pour tenir les boulons de montage en place pour montage plus facile.

1A4324



Support d'acier de forte épaisseur pour montage vertical ou horizontal sur le devant ou le haut du rouleau d'une porte roulante. Peut être soudé. Pour utilisation avec les ouvre-portes J, H, DJ et DH.

1A4324EZ



Même que 1A4324, mais avec une plaque adaptatrice pour tenir les boulons de montage en place pour montage plus facile.

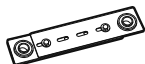
TENDEURS DE CHÂÎNE ——— Pour ouvre-porte de type arbre secondaire

71-6023

Pour arbres de 2,5 cm (1 po). Recommandé pour une tension appropriée de la chaîne d'entraînement entre l'arbre de l'ouvre-porte et l'arbre de la porte.

71-6125

Même que 71-6023, mais pour arbres de 3,2 cm (1-1/4 po).



CARTES À OPTION

TLS1CARD

Carte de statut d'éclairage et de minuterie :

La carte à option TLS fournit des fonctions spéciales pour activer et faire clignoter des dispositifs auxiliaires comme des lumières, des sonneries et des klaxons/stroboscopes à diverses positions de porte et pour fournir des fonctions spéciales de minuterie.

AUXCARD

Carte de contact auxiliaire :

La carte à option Contact auxiliaire a des contacts normalement ouverts et normalement fermés qui sont actionnés lorsque la porte est à l'arrêt, qu'elle s'ouvre ou qu'elle se ferme.

ADDITIONAL CONTROL ACCESSORIES

86LM (4,6 M [15 pi])
86LMT (7,6 M [25 pi])



Ensemble d'extension d'antenne :

L'ensemble d'extension d'antenne peut être utilisé avec une antenne extérieure pour une portée de réception radio maximale.

RGL24LY



Voyant de circulation rouge/vert :

Indique lors qu'une porte commerciale atteint la position d'ouverture complète. Garantit une entrée et une sortie sécuritaires de l'installation, réduisant le risque d'accidents coûteux. (La TLS1CARD est recommandée)

50-HERK2



Détecteur de mouvement de 24 V

Détecteur de mouvement à micro-ondes avec deux canaux programmables de manière indépendante.

50450



Verrouillage de l'interrupteur de porte articulée

L'interrupteur NEMA 4 désactive le circuit de commande de l'actionneur lorsque la porte est verrouillée, empêchant ainsi le fonctionnement électrique de la porte.